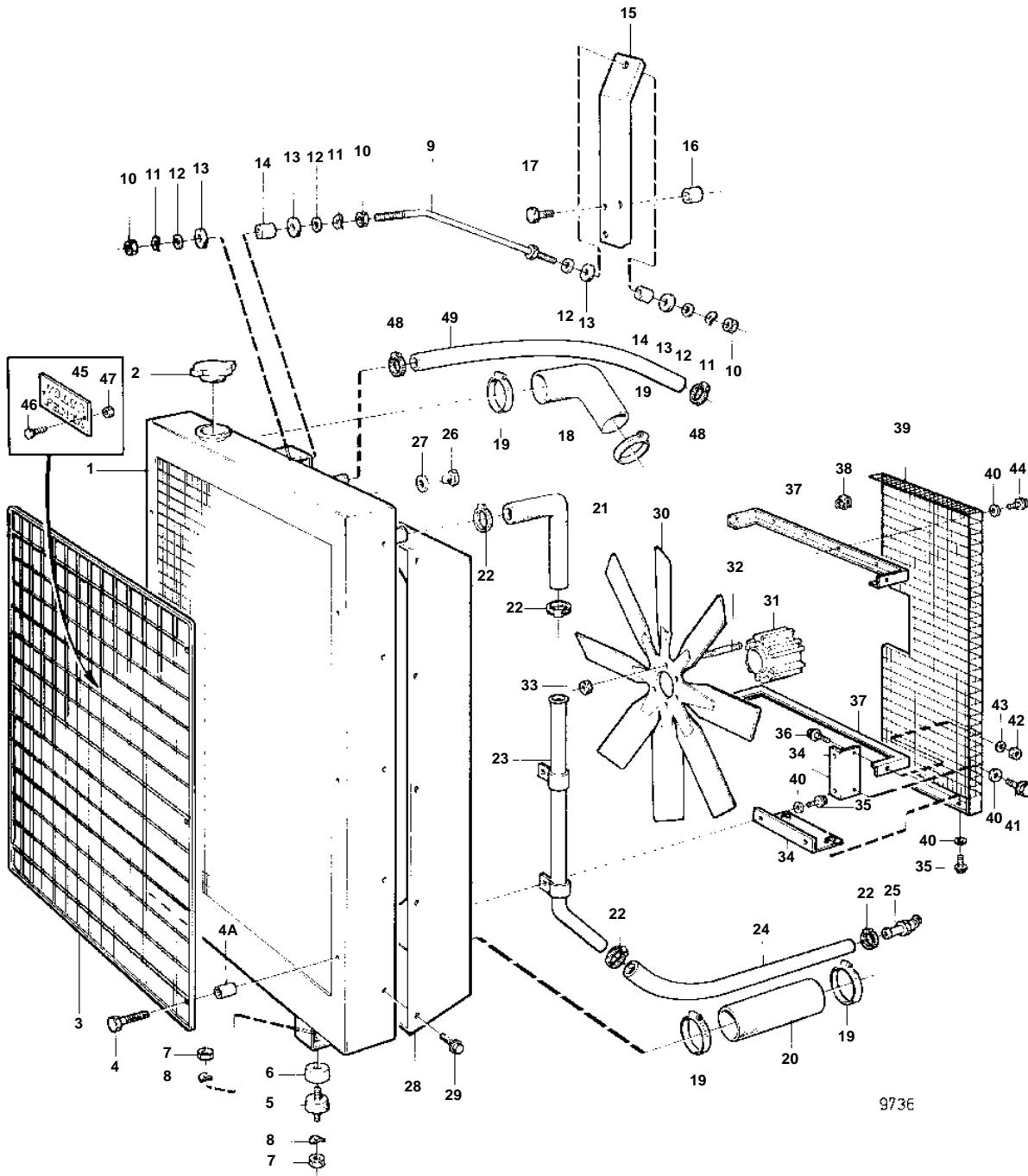


TID162AGP, TID162AP



TID162AGP, TID162AP

REF	PART NO.	QTY	DESCRIPTION	NOTES
1	862120	1	Radiator	Replaced by 1 ea radiator 864893 and 2 ea bracket 3826264. (350578)
2	866095	1	Pressure cap	
3	862959	1	Radiator protector	
4	947760	6	Flange screw	
4A	833243	6	Spacer sleeve	
5	849170	2	Rubber cushion	
6	807228	2	Sleeve	
7	955850	4	Nut	
8	940280	4	Spring washer	
9	862159	1	Radiator stay	
10	955793	3	Nut	
11	841912	3	Rubber gasket	
12	191940	4	Washer	
13	866857	4	Rubber bushing	
14	252202	2	Bushing	
15	862161	1	Bracket	
16	847239	3	Sleeve	
17	965218	3	Screw	
18	862102	1	Radiator hose	
19	961673	4	Clamp	
20	849738	1	Radiator hose	
21	827258	1	Rubber hook	
22	943475	4	Hose clamp	
23	862939	1	Tube	
24	944386	X	Hose	L=650mm
25	942649	1	Nipple	
26	947660	1	Plug	
27	11994	1	Gasket	
28	862119	1	Fan shroud	
29	946025	12	Screw	
30	848925	1	Fan, suction type	D=890mm
	848924	1	Fan, pusher type	D=890mm
31	3828712	1	Fan hub	(862495)
32	969199	6	Stud	
33	971095	6	Nut	
34	849717	8	Anchorage	
35	946440	16	Flange screw	L=16mm
36	955273	4	Screw	L=22mm
37	862220	2	Support	
38	948571	8	Nut	
39	849715	2	Fan protector	
40	976943	16	Washer	
41	946544	12	Flange screw	L=16mm
42	945407	4	Flange nut	
43	976943	8	Washer	
44	965350	8	Screw	
45	846118	1	Emblem	
46	941651	2	Screw	
47	963103	2	Lock nut	
48	943470	2	Hose clamp	
49	943366	X	Hose	L=700mm (13776)