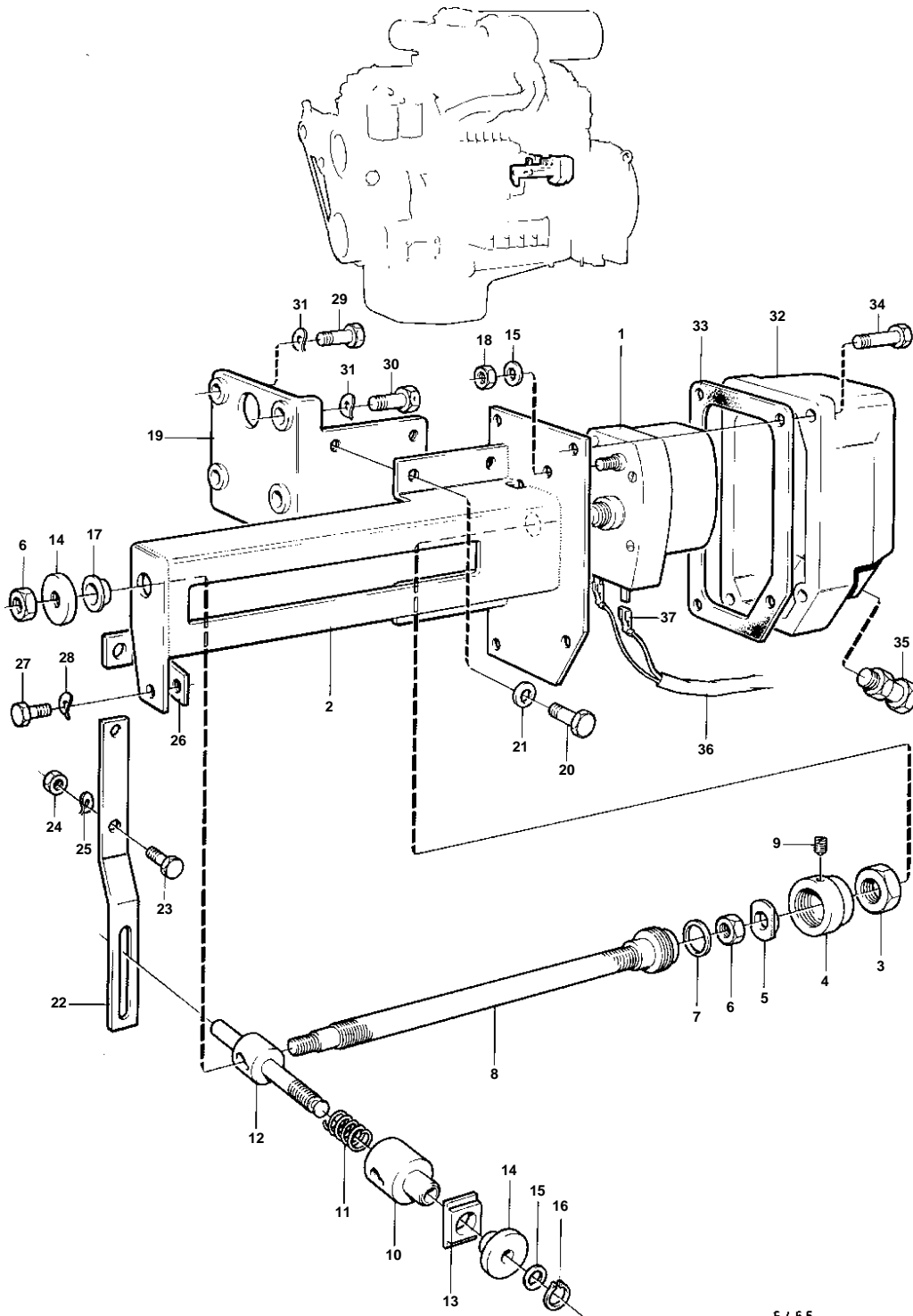


COMMON



5465

COMMON

REF	PART NO.	QTY	DESCRIPTION	NOTES
1	843794	1	Control motor	WHEN RECONDITIONING OR WHEN THE CARBONS ARE TO BE REPLACED, USE CARBON BRUSH KIT 876001
2	843795	1	Retainer	
3	843796	1	Nut	
4	843797	1	Nut	
5	843798	1	Companion flange	
6	955781	2	Nut	
7	949938	1	Spring washer	
8	843799	1	Adjuster screw	
9	945647	1	Screw	
10	843802	1	Sleeve	
11	813945	1	Spring	
12	843803	1	Companion flange	
13	843804	1	Guide	
14	843805	2	Control button	
15	907824	1	Cotter pin	
16	951667	1	Lock ring	
17	843806	1	Bushing	
18	955780	1	Nut	
19	843807	1	Bracket	
20	955269	4	Screw	
21	941906	4	Spring washer	
15	940090	1	Washer	
23	955273	2	Screw	
24	955781	1	Nut	
25	941906	2	Spring washer	
26	843809	1	Attaching plate	
27	955269	1	Screw	
28	941906	1	Spring washer	
29	955274	3	Screw	
30	844540	1	Lock screw	
31	941906	4	Spring washer	
32	843889	1	Cover	
33	843890	1	Gasket	
34	955271	4	Screw	
35	881191	1	Cable union	
36		1	CABLE UNIT	
37	881489	2	Cable terminal	