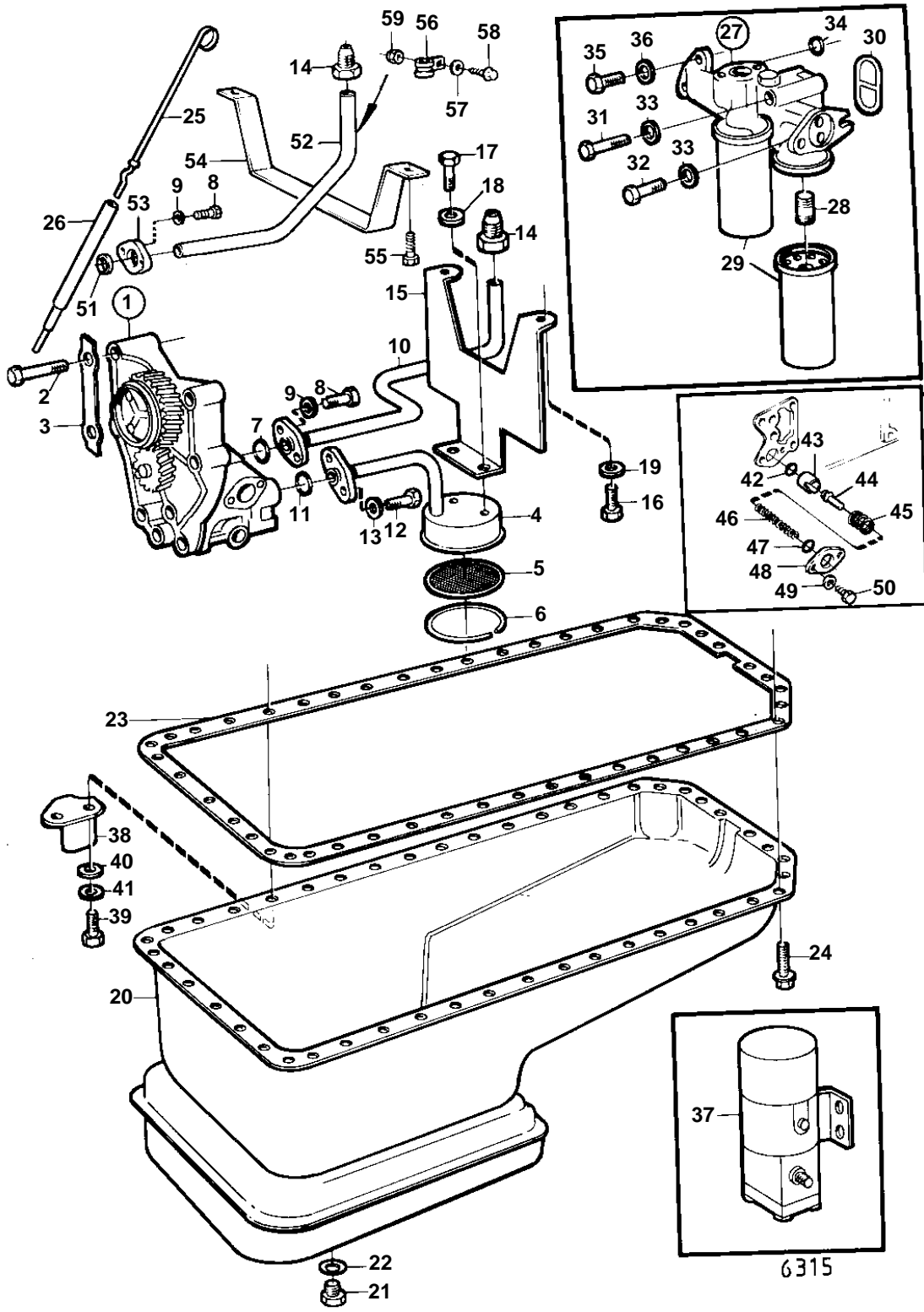


TID120FG, TID120F PP



## TID120FG,TID120F PP

REF	PART NO.	QTY	DESCRIPTION	SEE SEC.	NOTES
1	468351	1	Oil pump		
				02A-1450	
2	190529	2	Lock washer		
3	955538	4	Screw		
4	468039	1	Suction pipe		
5	414621	1	Strainer		
6	118125	1	Lock ring		
7	949658	1	O-ring	IK	(925061) EARLY TYPE
8	955533	2	Screw		L = 102 MM EARLY TYPE
	959793	2	Screw		L = 114 MM LATE TYPE
9	941907	2	Spring washer		
10	468036	1	Service kit		EARLY TYPE. FOR ENGINE WITH AQ DRIVE 100, 250 OR REDUCTION REVERSE GEAR.
11	949657	1	O-ring	IK	(925060)
12	955533	2	Screw		
13	941907	2	Spring washer		
14	466908	1	Fitting		
15	423424	1	Baffle plate		
16	955523	2	Screw		
17	942402	2	Flange screw		
18	955894	2	Washer		
19	942385	2	Disc spring		
20	470476	1	Oil pan		(468717)
21	192538	1	Magnetic plug		
22	18677	1	Gasket	IK	
23	470133	1	Gasket	IK	(423365)
24	942402	41	Flange screw		
25	944663	1	Oil dipstick		
26	412845	1	Extension		
27	468649	1	Housing		SEE GROUP 2B
				02A-1350	
28	466623	2	Nipple		
29	466634	2	Oil filter		
30	469486	1	Gasket	IK	(468651)
31	942529	2	Screw		L = 108 MM
32	940115	2	Screw		L = 25 MM
33	942336	4	Spring washer		
34	949659	1	O-ring	IK	(925065)
35	955525	2	Screw		
36	941907	1	Spring washer		
37		1	ELECTRICAL SUMP PUMP AND INSTALLATION COMPONENTS	02A-1650	
		1	OIL SUMP PUMP AND INSTALLATION COMPONENTS	02A-1625	
38	468653	1	Bracket		
39	955525	2	Screw		
40	960141	2	Washer		
41	941907	2	Spring washer		
42	424342	1	Sealing ring		
43	469468	1	Valve seat		
44	471085	1	Valve		
45	470291	1	Spring		(469333)
46	468727	1	Spring		
47	949658	1	O-ring		
48	469465	1	Cover		
49	192287	2	Washer		
50	955512	2	Screw		
51	470263	1	Sealing ring		LATE TYPE
52	470264	1	Delivery pipe		LATE TYPE
53	470262	1	Flange		LATE TYPE

