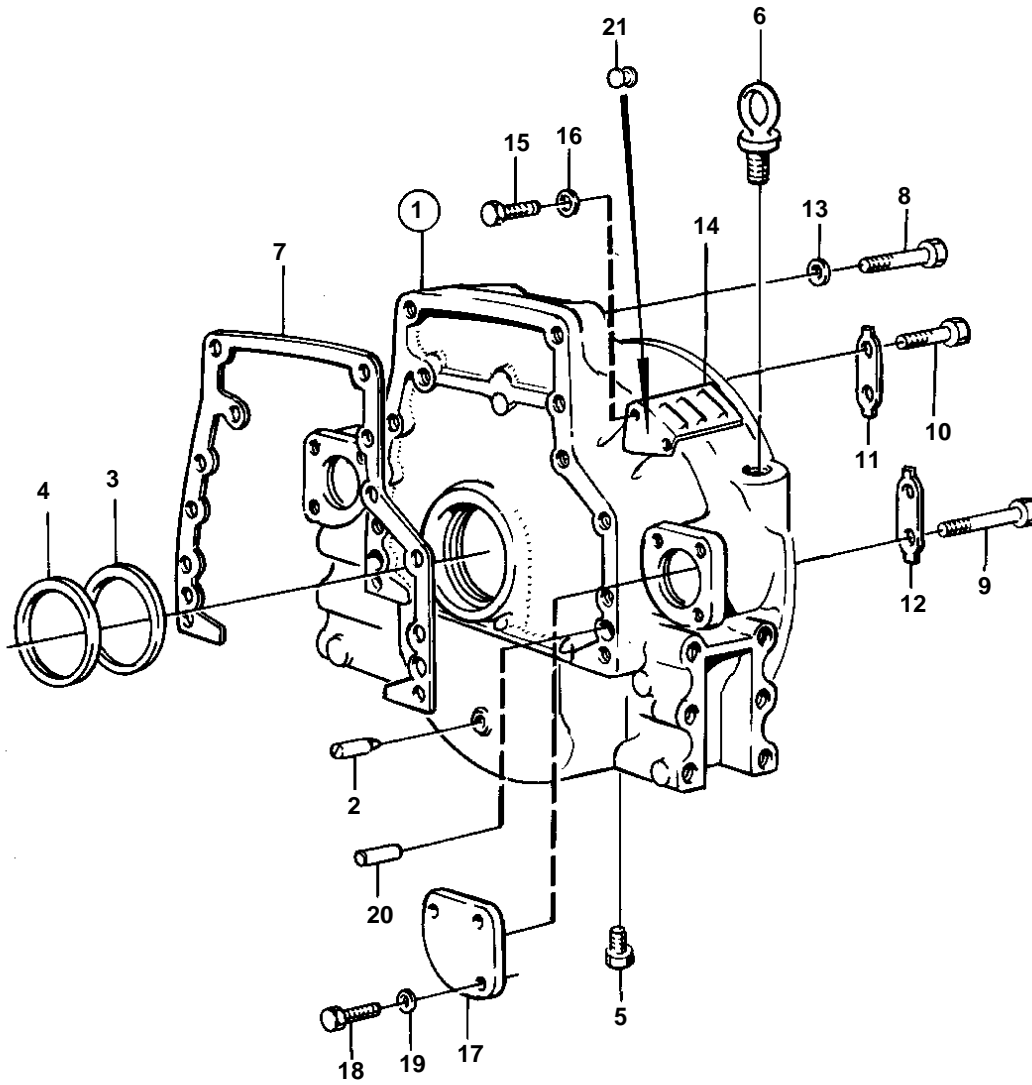


TID120FG, TID120F PP



6131

TID120FG,TID120F PP

REF	PART NO.	QTY	DESCRIPTION	NOTES
1	821791	1	Flywheel	REPL BY 846348
	846348	1	Flywheel housing	ALLISON 4800. FOR ENGINE WITH AQ DRIVE 100B, 270, 280 OR REVERSE GEAR TYPE BORG WARNER.
	847161	1	Flywheel housing	AQ130C MO-XXXX/87512.
2	403270	1	• Pin	
3	821754	1	Sealing ring	
4	821767	1	Spacer ring	
5	952357	1	Plug	
6		1	LIFT IRON	
7	468556	1	Gasket	IK
8	955582	2	Screw	
9	955587	2	Screw	
10	955580	8	Screw	
11	941464	1	Lock washer	
12	941465	5	Lock washer	
13	941911	2	Spring washer	
14	417429	1	Breather cap	
15	940100	2	Screw	
16	941906	2	Spring washer	
17	423081	1	Flange	
18	940114	3	Screw	
19	942336	3	Spring washer	
20	191171	2	Pin	
21	61822	1	Rubber plug	ALT