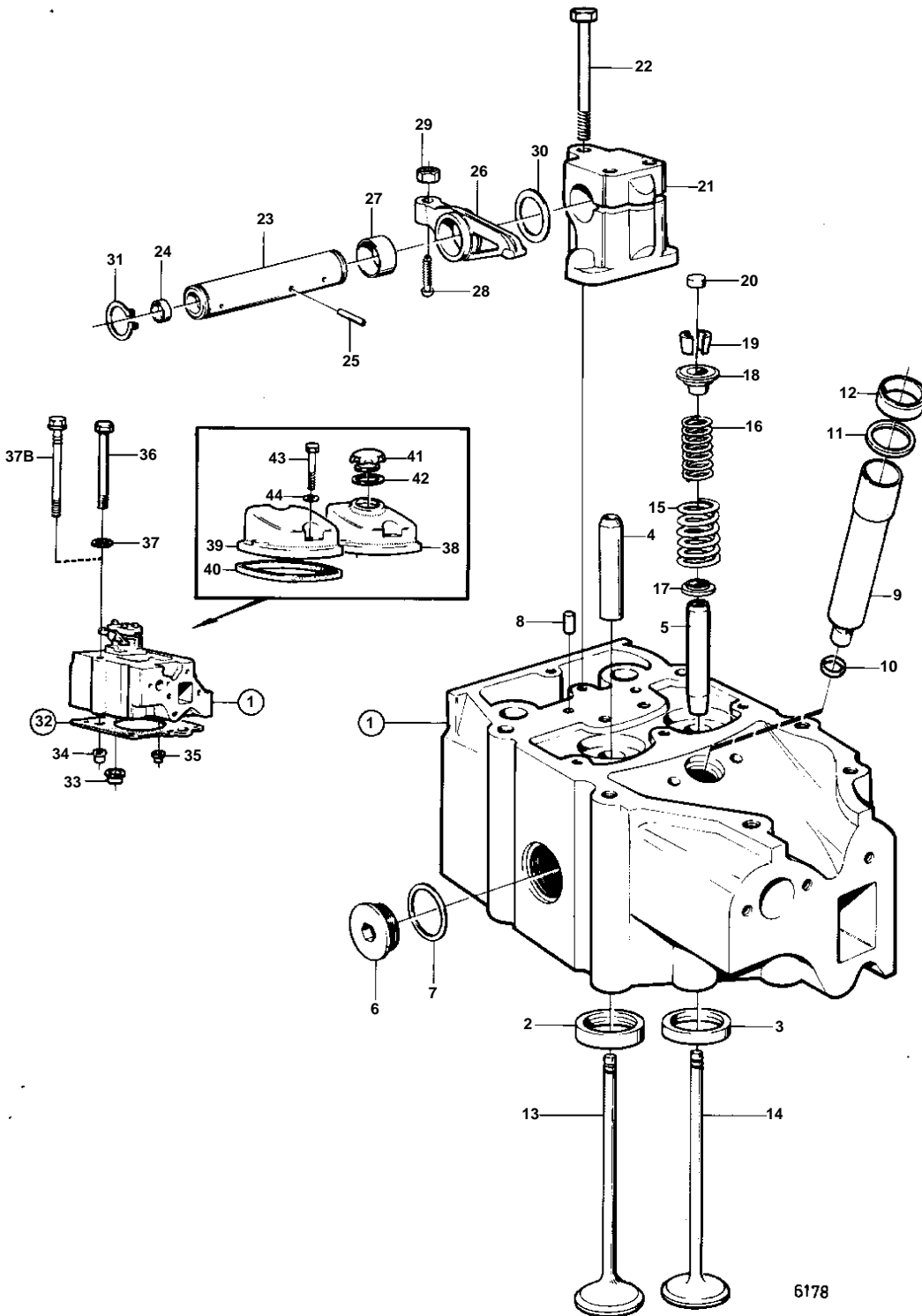


TID120FG, TID120F PP



6178

CYLINDER HEAD

02A

TID120FG,TID120F PP

REF	PART NO.	QTY	DESCRIPTION	NOTES
1	468746	6	Cylinder head	REPL BY 470244
	470244	6	Cylinder head	
	3803041	6	Cylinder head, exch	Exchange unit
2	423011	6	· Valve seat, INTAKE	STD
	423208	6	· Valve seat, INTAKE	0.20 MM O.S
3	468448	6	· Valve seat, EXHAUST	STD
	468449	6	· Valve seat, EXHAUST	0.20 MM O.S
4	422320	6	· Valve guide, INTAKE	
5	1545135	6	· Valve guide, EXHAUST	(421297)
6	467365	12	· Plug	(467714)
7	469327	12	· Gasket	IK
8	950543	12	· Pin	
9	468784	6	· Spray sleeve	FOR 468746
	470247	6	· Sleeve	FOR 470244
10	466922	6	· O-ring	IK FOR 468746
11	466405	6	· Rubber ring	
12	466420	6	· Steel ring	
13	468302	6	Inlet valve	
14	468303	6	Exhaust valve	
15	468067	12	Valve spring, OUTER	
16	468066	12	Valve spring, INNER	
17	468065	12	Washer, LOWER	
18	468304	12	Washer, UPPER	
19	468305	24	Valve collet	
20	469365	12	Valve cap	(417133)
21	423266	6	Bearing bracket	
22	423331	18	Screw	
23	423267	6	Shaft	
24	946778	12	· Cap plug	(955084)
25	950499	6	· Pin	
26	423263	12	Rocker arm	
27	422066	12	· Bushing	
28	423058	12	· Ball stud	
29	940175	12	· Nut	
30	423269	12	Washer	
31	914459	12	Lock ring	
32	275548	6	Gasket kit	
33	423326	12	· Sealing ring	IK
34	422415	12	· Sealing ring	IK
35	422413	6	· Sealing ring	IK
36	423485	48	Screw	EARLY TYPE
37	423486	48	Washer	EARLY TYPE
37B	470261	48	Flange screw	LATE TYPE
38	423404	1	Cover	
39	423403	5	Cover	
40	468963	6	Gasket	IK (468352)
41	420292	1	Oil filler cap	
42	940096	1	Gasket	IK
43	955527	12	Screw	
44	942580	12	Gasket	IK