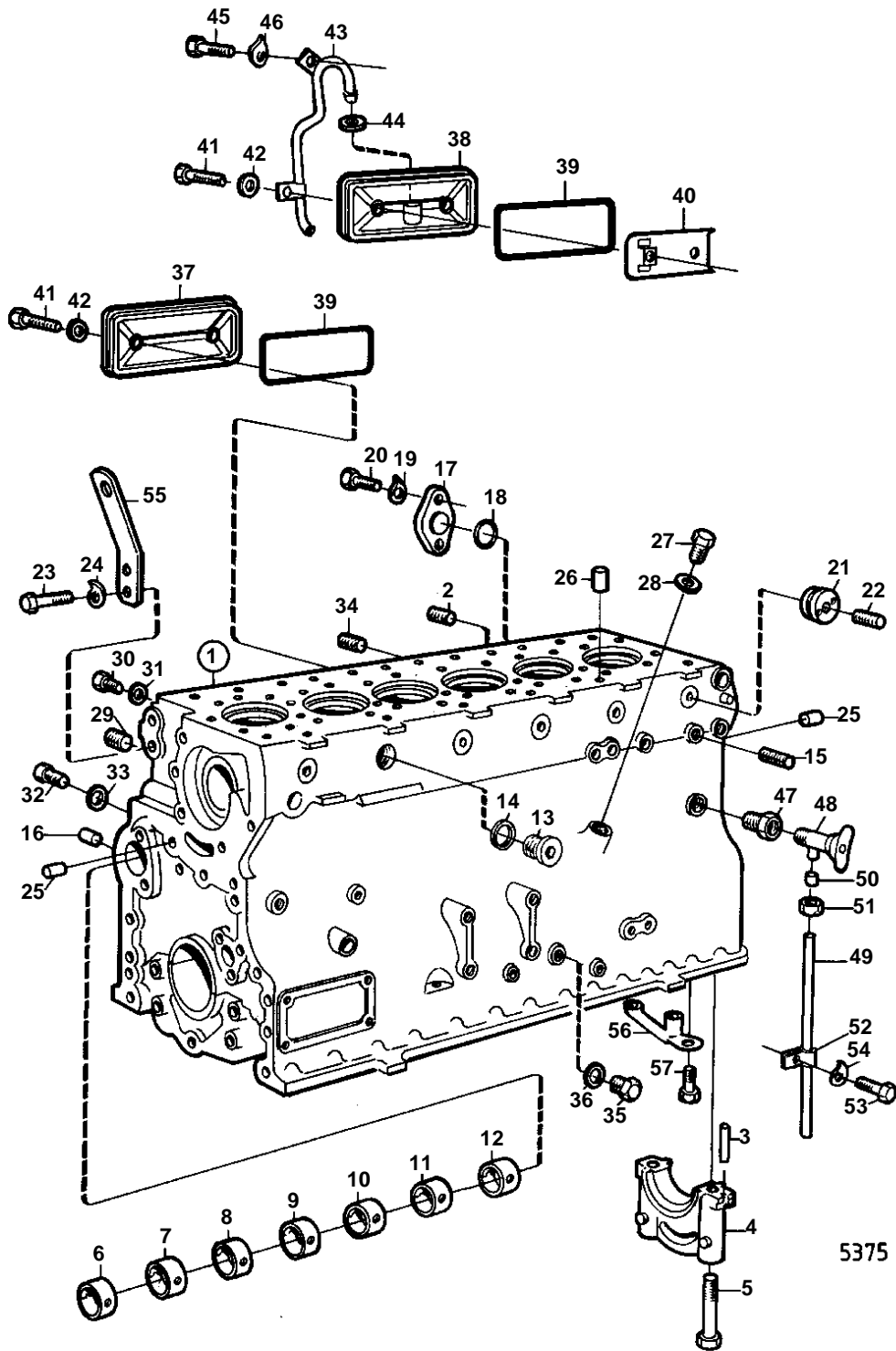


TID120FG, TID120F PP



5375

TID120FG,TID120F PP

REF	PART NO.	QTY	DESCRIPTION		NOTES
1	468702	1	Cylinder block		
2	952075	1	• Plug		
3	422426	1	• Pin		
4		7	• BEARING CAP		
5	423444	14	• Screw		
6	422076	1	• Bushing		
7	422077	1	• Bushing		
8	422078	1	• Bushing		
9	422079	1	• Bushing		
10	422080	1	• Bushing		
11	422081	1	• Bushing		
12	422082	1	• Bushing		
13	467367	6	• Plug		(467649)
	467367	5	• Plug		(467649). EXCL. SPEC. 9882, 9961, 9982.
14	469328	6	• Gasket	IK	
15	942734	2	• Plug		
16	422369	7	• Plug		
17		1	• COVER		EXCL. SPEC. 9882, 9961, 9982.
18	949657	1	• O-ring		(925060). EXCL. SPEC. 9882, 9961, 9982.
19	941907	2	• Spring washer		EXCL. SPEC. 9882, 9961, 9982.
20	955524	2	• Screw		EXCL. SPEC. 9882, 9961, 9982.
21	821335	1	• Plug		EXCL. SPEC. 9882, 9961, 9982.
22	952077	1	• Plug		EXCL. SPEC. 9882, 9961, 9982.
23	955562	2	Screw		
24	940280	2	Spring washer		
25	955082	2	Cap plug		D = 12.5 MM
	955083	3	Cap plug		D = 14.5 MM
26	950543	12	Pin		
27	961892	2	Plug		
28	947621	2	Gasket		
29	952077	3	Plug		
30	16318	2	Plug		
31	907132	2	Gasket	IK	
32	190798	1	Plug		
33	18818	1	Gasket	IK	
34	952075	1	Plug		
35	16318	3	Plug		
36	907132	3	Gasket	IK	
37	423120	2	Inspection cover		
	423120	3	Inspection cover		AQ115A MO-XXXX/86908.
38	423121	1	Inspection cover		
39	467409	3	Gasket	IK	
40	422542	1	Splash plate		
41	422541	6	Screw		
42	424342	6	Sealing ring	IK	
43	468655	1	Tube		
44	421158	1	Sealing ring	IK	
45	955523	2	Screw		
46	941907	2	Spring washer		
47	190130	1	Nipple		
48	820436	1	Drain cock		
49	821889	1	Tube		
50	954365	1	Fitting		
51	954357	1	Cap nut		(954350)
52	942400	1	Clamp		
53	955534	1	Screw		
54	942336	1	Spring washer		
55		1	LIFTING IRON		
56	468539	6	Oil jet		
57	948587	6	Lock screw		