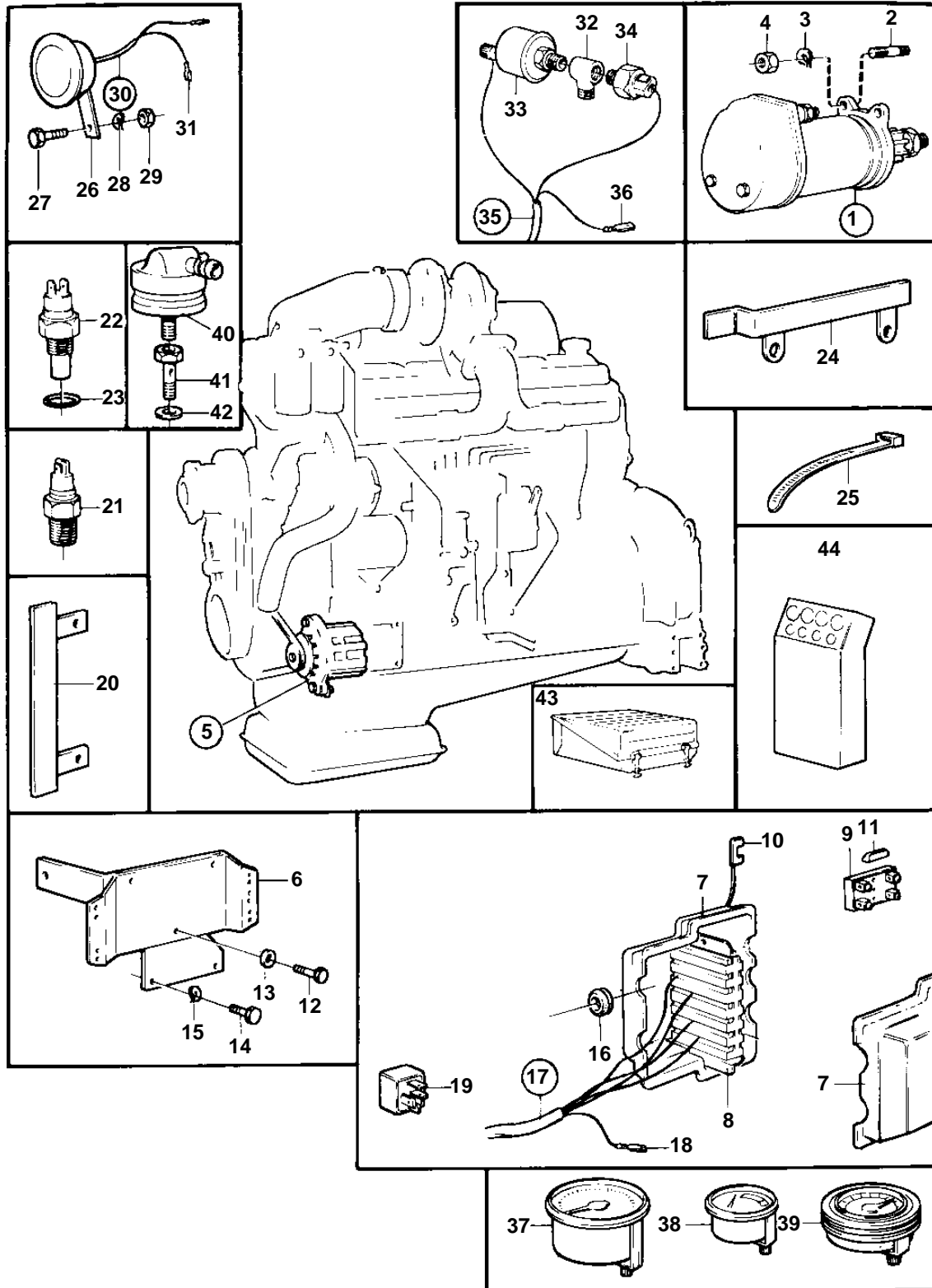


TID120FG, TID120F PP



6680

TID120FG,TID120F PP

REF	PART NO.	QTY	DESCRIPTION	SEE SEC.	NOTES
1	468202	1	Starter motor		24V
				030-1150	
	870998	1	Starter motor		24V ALT LATER PROD
				030-1051	
	847308	1	Starter motor COMPONENTS NOT SPEC.		24V
2	953486	3	Stud		
3	942336	3	Spring washer		
4	955827	3	Nut		
5		1	ALTERNATOR AND INSTALLATION COMPONENTS	030-0850	
6	842238	1			STATE KEY CODE WHEN ORDERING
7	837791	2	Clutch housing		EARLY TYPE. FOR FLYING BRIDGE.
	845838	2	Electrical distribut		LATE TYPE
8	837829	1	Terminal block		
9	88578	1	Fuse box		
10	842390	1	Bridge connector		
11	943905	1	Fuse		
12	940199	3	Screw		STATE KEY CODE WHEN ORDERING
13	955894	3	Washer		STATE KEY CODE WHEN ORDERING
14	940133	2	Screw		STATE KEY CODE WHEN ORDERING
15	942336	2	Spring washer		STATE KEY CODE WHEN ORDERING
16	941269	2	Cable grommet		
17		1	CABLE UNIT		
18		X		030-1500	
19	1504951	1	Relay		24V
20		1	CABLE IRON		
21	354671	1	Tachometer sensor		(837783). FOR INSTRUMENT PANEL 841094 AND 841095.
	846695	1	Tachometer sensor		FOR INSTRUMENT PANEL 841096 AND 841097.
22	844080	1	Temperature sensor		
23	957179	1	Gasket		
24		1	CABLE IRON		
25	948210	X	Strip clamp		(827353)
26	850420	1	Horn		
27	940114	1	Screw		
28	942336	1	Spring washer		
29	955827	1	Nut		
30		1	CABLE UNIT		
31		X	· CABLES AND TERMINALS	030-1500	
32	942490	1	T-nipple		
33	844085	1	Pressure sensor		
34	6639331	1	Pressure monitor		
35		1	CABLE UNIT		
36		X	· CABLES AND TERMINALS	030-1500	
37	823409	1	Tachometer		
38	827149	1	Thermometer		AQ200D MO 11577-, AQ225D MO 11737-, AQ260A MO 11507-, AQ290A MO12260-.
39	844957	1	Hour counter		
40	823416	1	Pressure monitor		ALT
41	823417	1	Hollow screw		ALT
42	957178	2	Gasket		ALT
43		1	BATTERY BOX	030-1475	
			INSTALLATION COMPONENTS		TID120F PP
44		1	INSTRUMENT PANEL AND INSTALLATION COMPONENTS	030-1465	