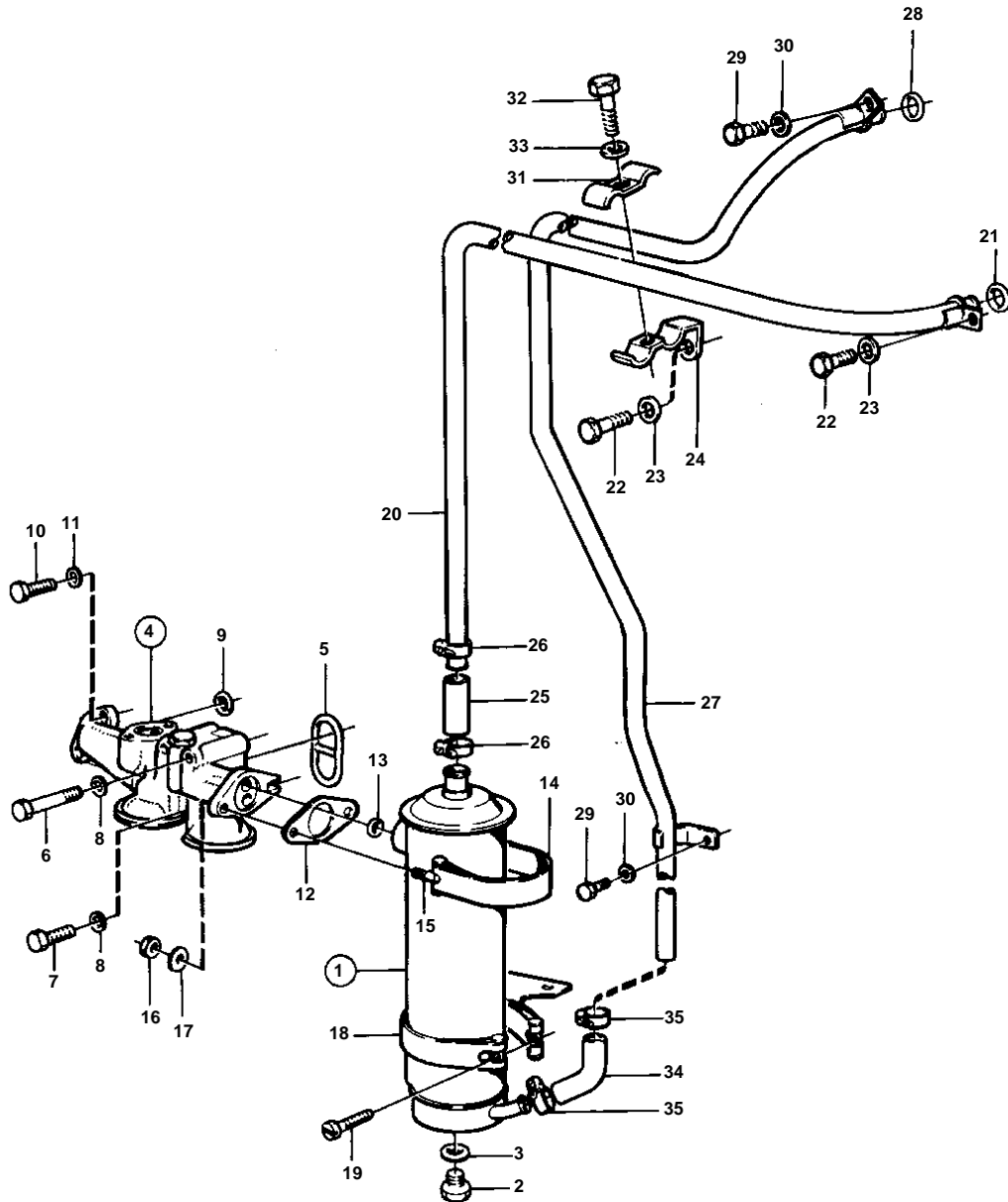


TID120FG, TID120F PP



5438

TID120FG,TID120F PP

REF	PART NO.	QTY	DESCRIPTION		NOTES
1	468612	1	Oil cooler		
2	180759	1	• Plug		
3	907132	1	• Gasket		
4	468649	1	Housing		SEE GROUP 2A
5	469486	1	Gasket	IK	(468651)
6	942529	2	Screw		L = 108 MM
7	940115	2	Screw		L = 25 MM
8	942336	4	Spring washer		
9	949659	1	O-ring	IK	(925065)
10	955525	2	Screw		
11	941907	1	Spring washer		
12	468652	1	Guide washer		
13	469483	2	Sealing ring	IK	(422581)
14	468044	1	Strap		EARLY TYPE. SPEC. 867131.
	1545255	1	Tensioning band		LATE TYPE
15	953245	2	Stud		EARLY TYPE
	924070	2	Stud		LATE TYPE
16	955826	2	Nut		EARLY TYPE
	955782	2	Nut		LATE TYPE
17	960141	2	Washer		
18	1545256	1	Tensioning band		(468659) EARLY TYPE
	1545256	1	Tensioning band		LATE TYPE
19	31406	1	Screw		EARLY TYPE
	1545257	1	Screw		LATE TYPE
20	468774	1	Tube		
21	418326	1	Rubber ring	IK	
22	940113	2	Screw		
23	941907	2	Spring washer		
24	468772	1	Bracket		
25	944386	X	Hose		L = 60 MM
26	943475	2	Hose clamp		
27	468811	1	Tube		
28	418326	1	Rubber ring	IK	
29	940113	2	Screw		
30	941907	2	Spring washer		
31	468684	1	Attaching plate		
32	940161	1	Screw		
33	191172	1	Washer		
34	468706	1	Hose		
35	943475	2	Hose clamp		