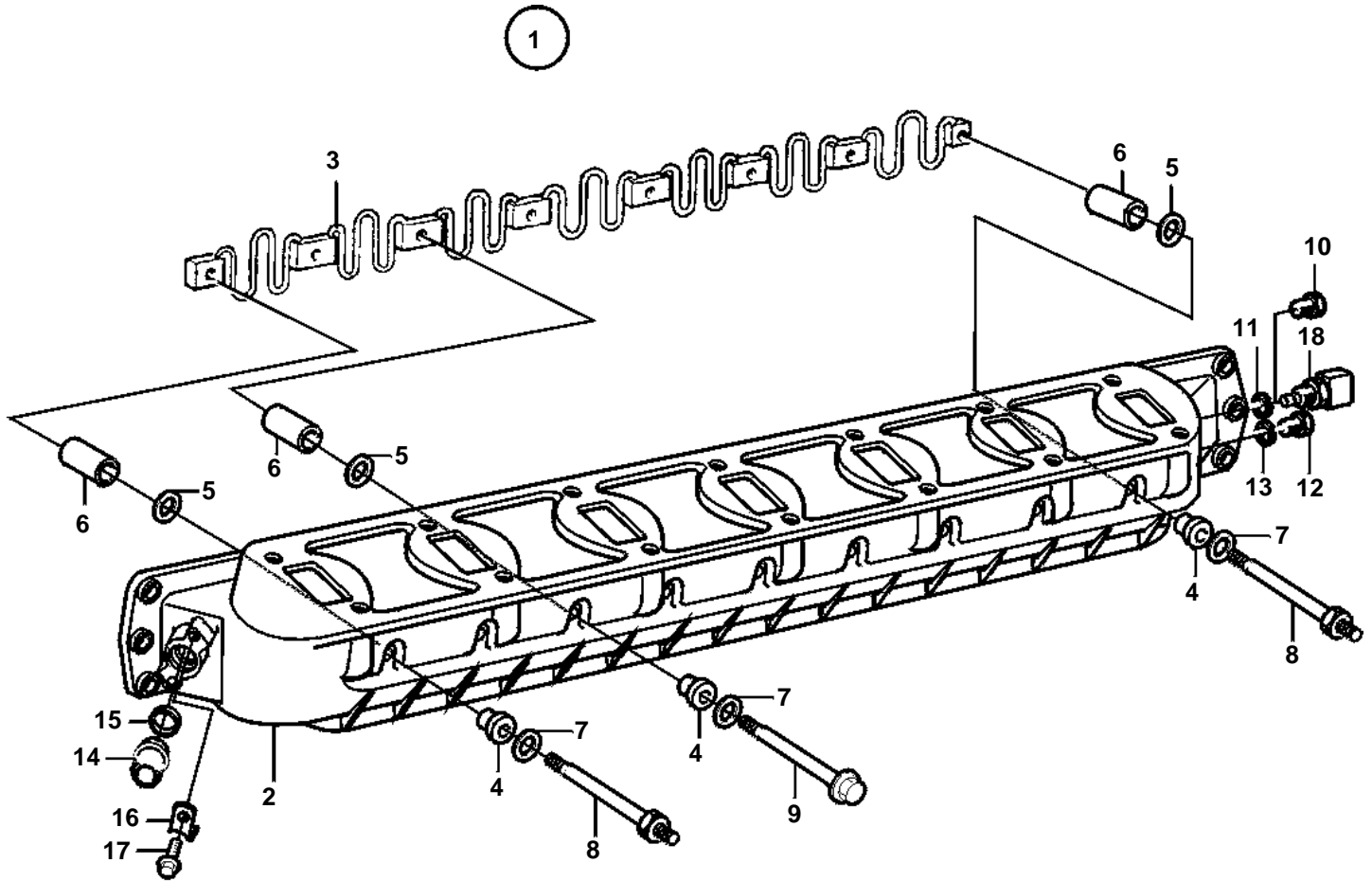


DH10A



17214

DH10A

REF	PART NO.	QTY	DESCRIPTION	NOTES
1	3828545	1	Inlet pipe	
2		1	· Inlet pipe	
3	469807	1	· Wire element	
4	468511	9	· Bushing	
5	945244	9	· Washer	
6	469909	9	· Sleeve	
7	192288	9	· Washer	
8	469989	2	· Screw	
9	955303	7	· Screw	
10	960632	1	· Plug	ALT
11	947624	1	· Gasket	ALT
12	960631	1	· Plug	
13	947622	1	· Gasket	
14	1546528	1	· Plug	
15	1547252	1	· Sealing ring	
16	1546531	1	· Lock brace	
17	972542	1	· Screw	
18		1	Temperature sensor	SE GROUP 30