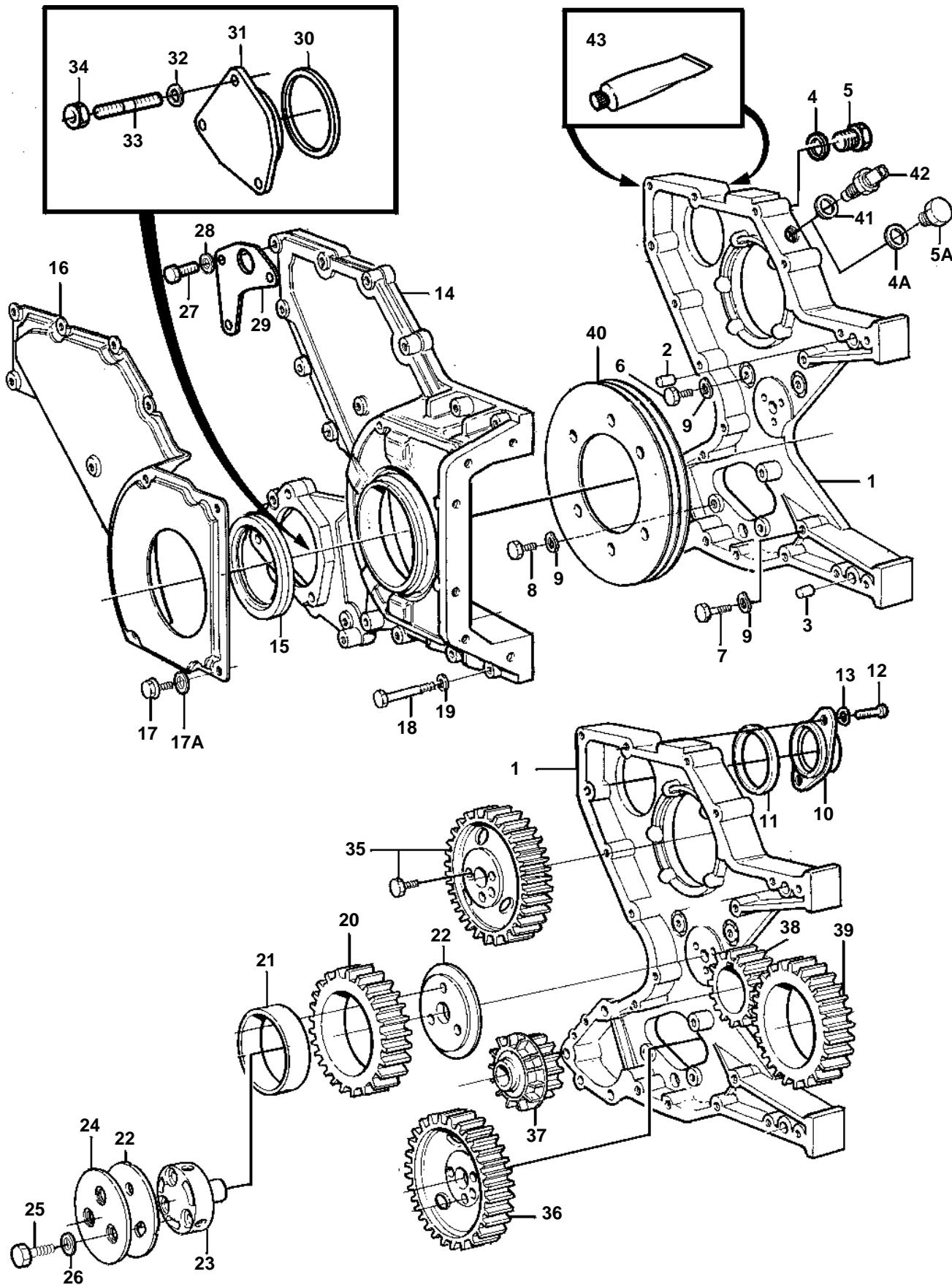


DH10A, THD102KB, THD102KD



16982

## DH10A, THD102KB, THD102KD

REF	PART NO.	QTY	DESCRIPTION	SEE SEC.	NOTES
1	425434	1	Timing gear casing		
2	941510	1	Pin, 18x48mm		
3	941511	1	Pin, 18x56mm		
4	947625	1	Gasket		
4A	947625	1	Gasket		For DH10A.
5	960633	1	Plug		
5A	960633	1	Plug		For DH10A.
6	941939	4	Screw		
7	955538	1	Screw		
8	940115	1	Screw		
9	942336	6	Spring washer		
10	468093	1	Cover		
11	468094	1	Sealing ring		
12	955535	2	Screw		
13	942336	2	Spring washer		
14	425856	1	Timing gear cover		
15	424763	1	Sealing ring		
16	425857	1	Sound insulation		
17	942624	3	Screw		5/16UNCx13
	955523	1	Screw		5/16UNCx16
	942402	1	Flange screw		5/16UNCx16. For DH10A.
17A	941907	1	Spring washer		
18	955535	3	Screw		3/8UNCx32
	955541	2	Screw		3/8UNCx76
	940156	7	Screw		3/8UNCx89
	955538	3	Screw		3/8UNCx57
	940162	2	Screw		3/8UNCx38
	955537	3	Screw		3/8UNCx51
19	942336	X	Spring washer		
20	479653	1	Gear		
21		1	· Bushing		
22	478951	2	Thrust washer		
23	8192636	1	Pin		
24	425432	1	Bearing shield		
25	468738	3	Screw		
26	942180	3	Washer		
27	955538	3	Screw		
28	942336	3	Spring washer		
29	469764	1	Lifting eye	NS	
30	975610	1	O-ring		For engines without air compressor.
31	3826136	1	Cover, air compr.		For engines without air compressor.
32	941911	3	Spring washer		For engines without air compressor.
33	953354	3	Stud		For engines without air compressor.
34	955828	3	Nut		For engines without air compressor.
35		1	Gearfuel inj. pump	3484	
		1	Gearfuel inj. pump	3744	
36		1	Camshaft gear	3475	
37		1	Gearair compressor	3500	
38		1	Crankshaft gear	3476	
39		1	Gearoil pump	3490	
40		1	Vibration damper	3476	
41		1	O-ring		SE GROUP 30. For THD102KB and THD102KD.
42		1	Tachometer sensor		SE GROUP 30. For THD102KB and THD102KD.
43	1161231	X	Sealant		
	1161277	X	Sealant		