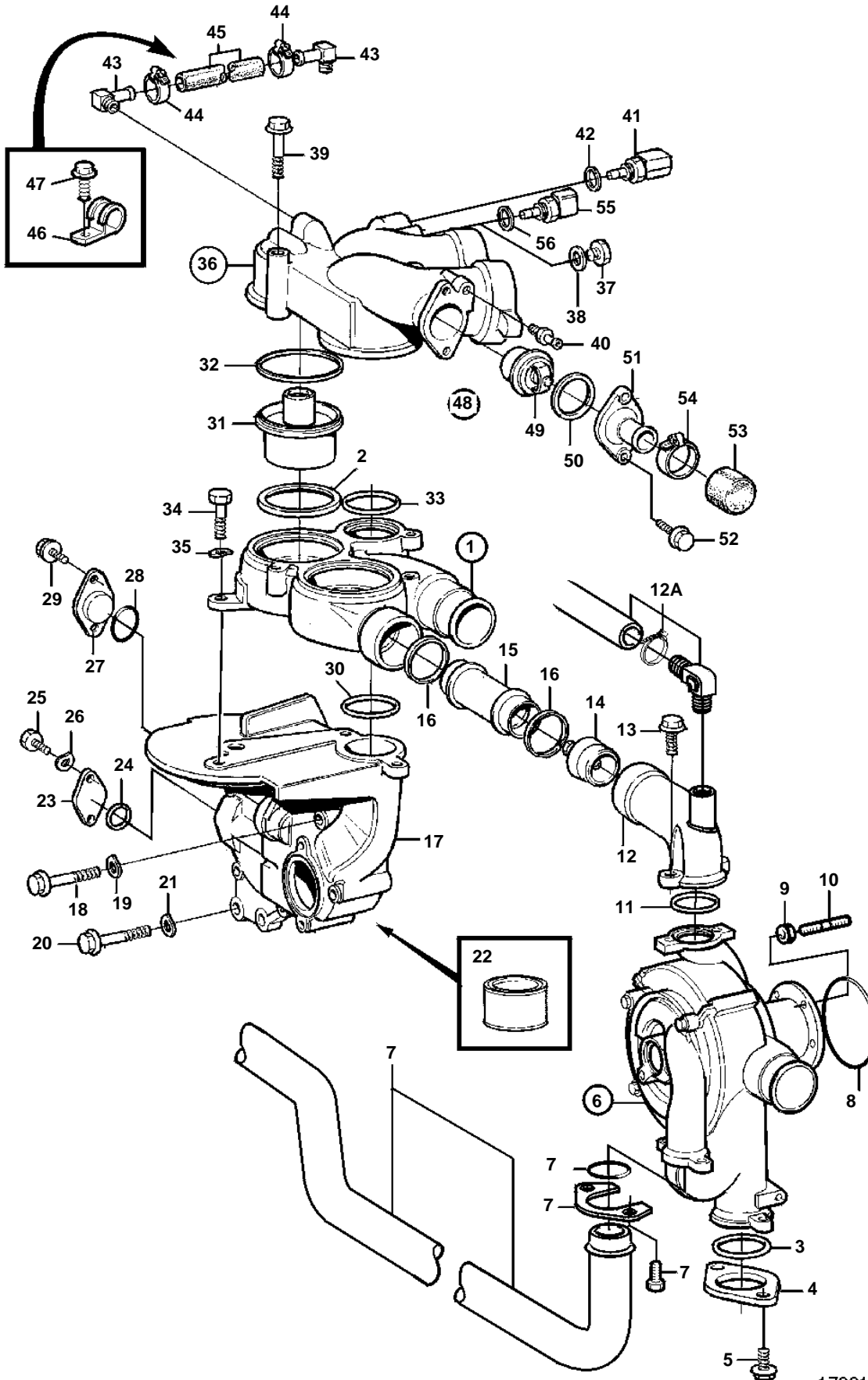


DH10A, THD102KB, THD102KD



17001

DH10A, THD102KB, THD102KD

REF	PART NO.	QTY	DESCRIPTION	SEE SEC.	NOTES
1	425065	1	Thermostat housing		
2	1544710	2	· Sealing ring		
3	925092	1	O-ring		
4	469999	1	Flange		
5	946440	2	Flange screw		
6	425521	1	Circulation pump		E.U.=3803391
	3803391	1	Circ. pump, exch		Exchange unit
				3497	
7		1	Coolant pipe	3695	
8	925255	1	O-ring		
9	980289	5	Stud		
10	945408	5	Flange nut		Water pump-charge air cooler.
11	925069	1	O-ring		
12	425565	1	Riser		
12A		1	Hose connection	3500	
13	945444	2	Flange screw		
14	469732	1	Delivery valve		
15	424966	1	Coolant pipe		
16	469981	2	Sealing ring		
17	469759	1	Housing		
18	955544	3	Screw		
	955538	4	Screw		
19	942336	7	Spring washer		
20	955565	2	Screw		
21	940280	2	Spring washer		
22	1161231	X	Sealant		
	1161277	X	Sealant		
23	469987	1	Flange		
24	469479	1	Sealing ring		
25	940135	2	Screw		
26	941907	2	Spring washer		
27	469763	1	Cover		
28	469982	1	Sealing ring		
29	942402	2	Flange screw		
30	975672	1	O-ring		
31	8149182	2	Thermostat		
32	1544410	2	Sealing ring		
33	975672	1	O-ring		
34	955535	3	Screw		
35	942336	3	Spring washer		
36	425478	1	Cover		
37	960631	1	Plug		
38	11996	1	Gasket		
39	965182	2	Flange screw		
	965183	1	Flange screw		
40	1136966	2	Nipple		
41		1	Temperature sensor		SE GROUP 30
42		1	Gasket		SE GROUP 30
43	479953	2	Elbow nipple		
44	943470	2	Hose clamp		
45	943366	X	Hose		Thermostat housing-cylinder block.
46	952628	1	Clamp		
47	967949	1	Screw		
48	273950	1	Thermostat kit		
49		1	· Thermostat		
50	416033	1	· Sealing ring		
51	469900	1	Connection pipe		
52	945444	2	Flange screw		
53	424543	1	Rubber cap		
54	943477	1	Hose clamp		
55		1	Ect sensor		SE GROUP 30
56		1	Gasket		SE GROUP 30