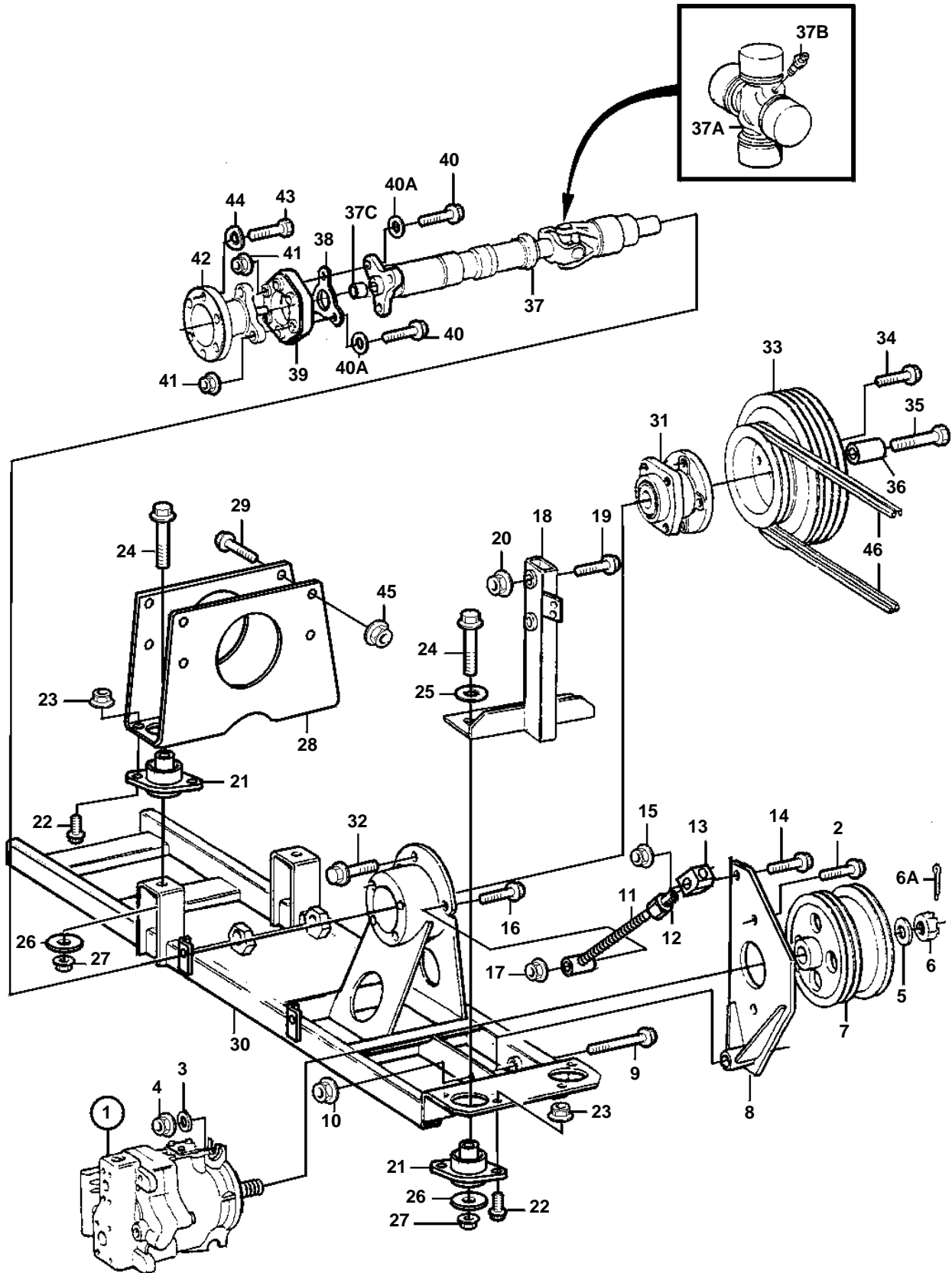


DH10A, THD102KB, THD102KD



DH10A, THD102KB, THD102KD

REF	PART NO.	QTY	DESCRIPTION	NOTES
1	3036293	1	Hydraulic pump, connecting parts	
2	965192	2	Flange screw	
3	960144	2	Washer	
4	971099	2	Flange lock nut	
5	941914	1	Spring washer	
6	950379	1	Nut	
6A	907849	1	Cotter pin	
7	3036792	1	Pulley	
8	9517665	1	Anchorage	
9	970940	1	Screw	
10	971100	1	Flange lock nut	
11	3036795	1	Tensioning screw	
12	3036797	1	Collet	
13	3036796	1	Block	
14	965194	1	Screw	
15	971099	1	Flange lock nut	
16	965195	1	Flange screw	
17	971099	1	Flange lock nut	
18	3037300	1	Anchorage	
19	965197	2	Flange screw	
20	971099	2	Flange lock nut	
21	3036907	4	Rubber cushion	
22	946173	7	Flange screw	
	945444	1	Flange screw	
23	948645	8	Lock nut	
24	965190	4	Screw	
25	960144	2	Washer	
26	190621	4	Washer	
27	971098	4	Flange lock nut	
28	9518054	1	Anchorage	
29	969246	4	Flange screw	
30	9518187	1	Bridge	GEN 115, 180, 2x55, 2x80
		1	Bridge	GEN 140
31	9140092	1	Hub	
32	965229	4	Flange screw	
33	9517959	1	Pulley	
34	965192	5	Flange screw	
35	965195	1	Flange screw	
36	1136959	1	Spacer sleeve	
37	3037490	1	Propeller shaft	
37A	1209814	1	· Spider	
37B	192554	1	· Lubricating nipple	
37C	1209862	1	· Sleeve	
38	9515566	1	Washer	
39	70307303	1	Shaft coupling	
40	947790	6	Flange screw	
40A	976945	6	Washer	
41	971098	6	Flange lock nut	
42	3037493	1	Companion flange	Also includes DH10A prod.No 868783.
43	955554	6	Screw	Also includes DH10A prod.No 868783.
44	941909	6	Spring washer	Also includes DH10A prod.No 868783.
45	971099	4	Flange lock nut	
46	9519741	1	V-belt	