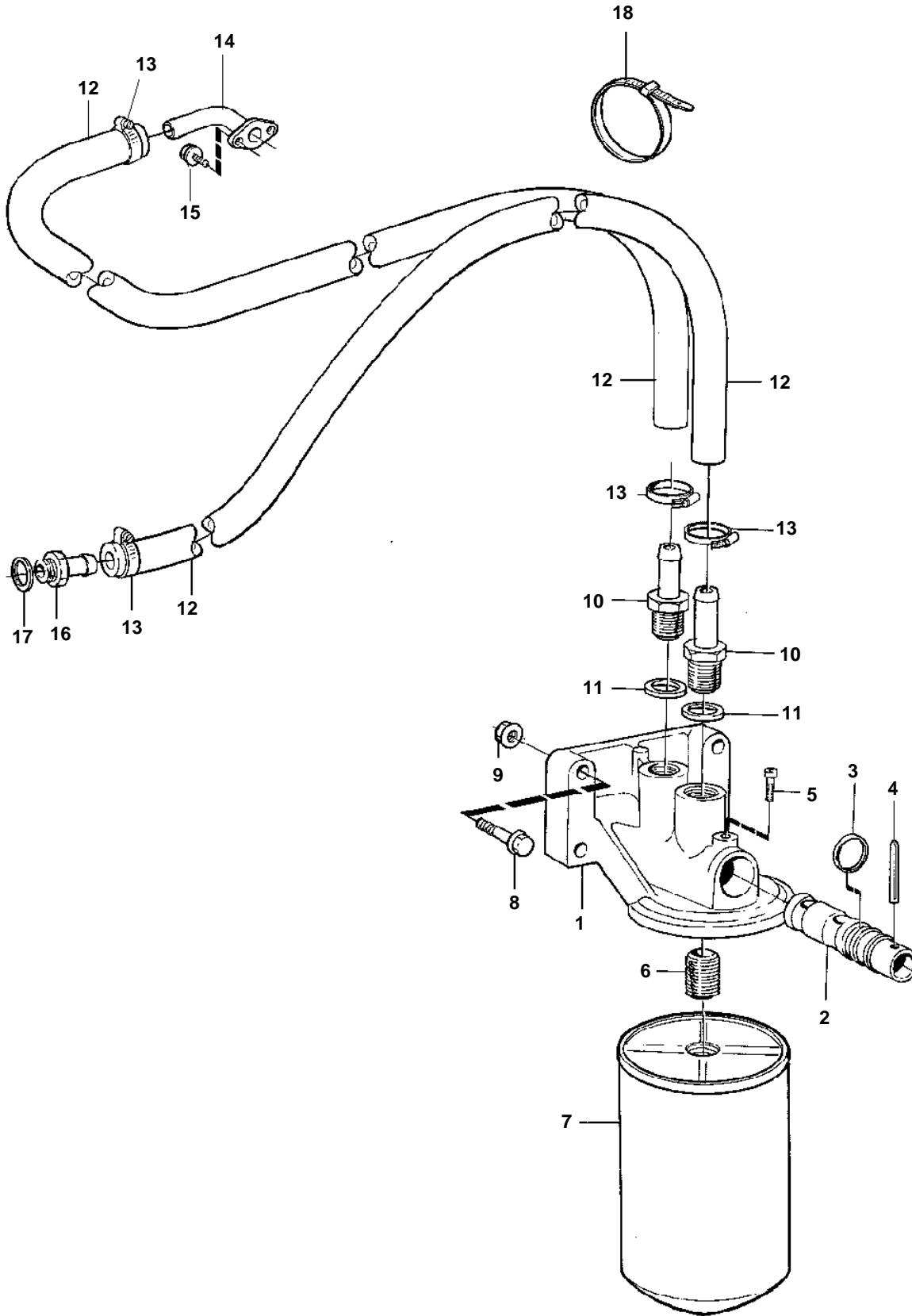


DH10A, THD102KB, THD102KD



DH10A, THD102KB, THD102KD

REF	PART NO.	QTY	DESCRIPTION	NOTES
1	1661683	1	Housing	
2	1661686	1	Spindle	
3	968725	1	O-ring	
4	951968	1	Spring pin	
5	961236	1	Screw	
6	1676554	1	Nipple	
7	20532237	1	Coolant filter	
8	946671	2	Flange screw	
9	948645	2	Lock nut	
10	3030169	2	Nipple	
11	957178	2	Gasket	
12	943367	X	Hose	
13	943470	4	Hose clamp	
14	3032617	1	Tube	Thermostat housing-Coolant filter.
15	945444	2	Flange screw	
16	3030169	1	Nipple	
17	969011	1	Gasket	
18	948616	X	Strip clamp	