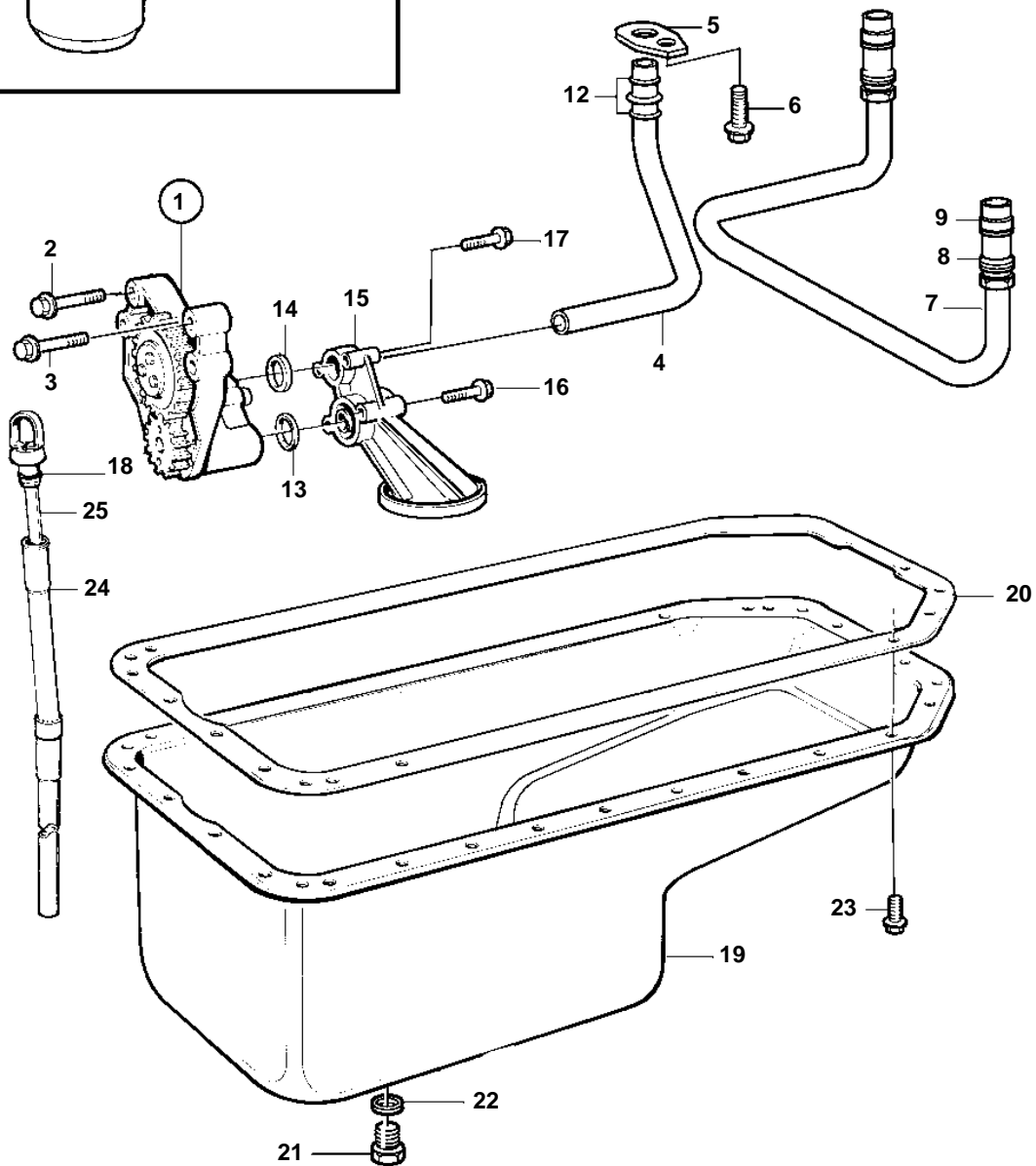
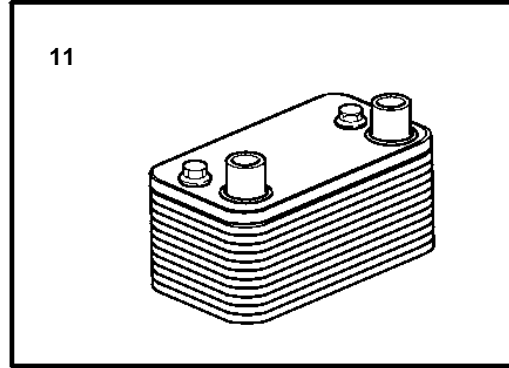
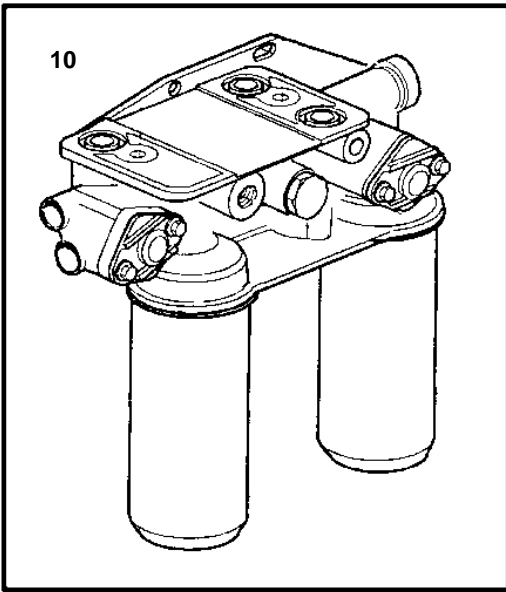


TWD740VE



17707

TWD740VE

| REF | PART NO. | QTY | DESCRIPTION | SEE SEC. | NOTES |
|-----|----------|-----|-------------------------------|----------|---------------|
| 1 | 864760 | 1 | Oil pump | | SN2071097293- |
| | | | | 1537 | |
| 2 | 471513 | 4 | Screw | | M10x70mm |
| 3 | 471734 | 2 | Screw | | M8x70mm |
| 4 | 3827022 | 1 | Oil feed pipe | | |
| 5 | 471746 | 1 | Clamp | | |
| 6 | 946440 | 1 | Flange screw | | |
| 7 | 3827023 | 1 | Oil feed pipe, piston cooling | | |
| 8 | 471595 | 2 | · Pressure pipe connec | | |
| 9 | 956972 | 2 | · Ferrule | | |
| 10 | | | Oil filter housing | 3813 | |
| 11 | | | Oil cooler | 4144 | |
| 12 | 471956 | 2 | Sealing ring | | |
| 13 | 949659 | 1 | O-ring | | |
| 14 | 471956 | 1 | Sealing ring | | |
| 15 | 420725 | 1 | Oil pump screen | | |
| 16 | 968999 | 2 | Screw | | |
| 17 | 968842 | 2 | Flange screw | | |
| 18 | 955984 | 1 | Sealing ring | | |
| 19 | 421026 | 1 | Oil pan | | |
| 20 | 11030779 | 1 | Gasket | | |
| 21 | 192538 | 1 | Magnetic plug | | |
| 22 | 18677 | 1 | Gasket | | |
| 23 | 946440 | 36 | Flange screw | | |
| 24 | 862055 | 1 | Tube | | |
| 25 | 862197 | 1 | Oil dipstick | | |