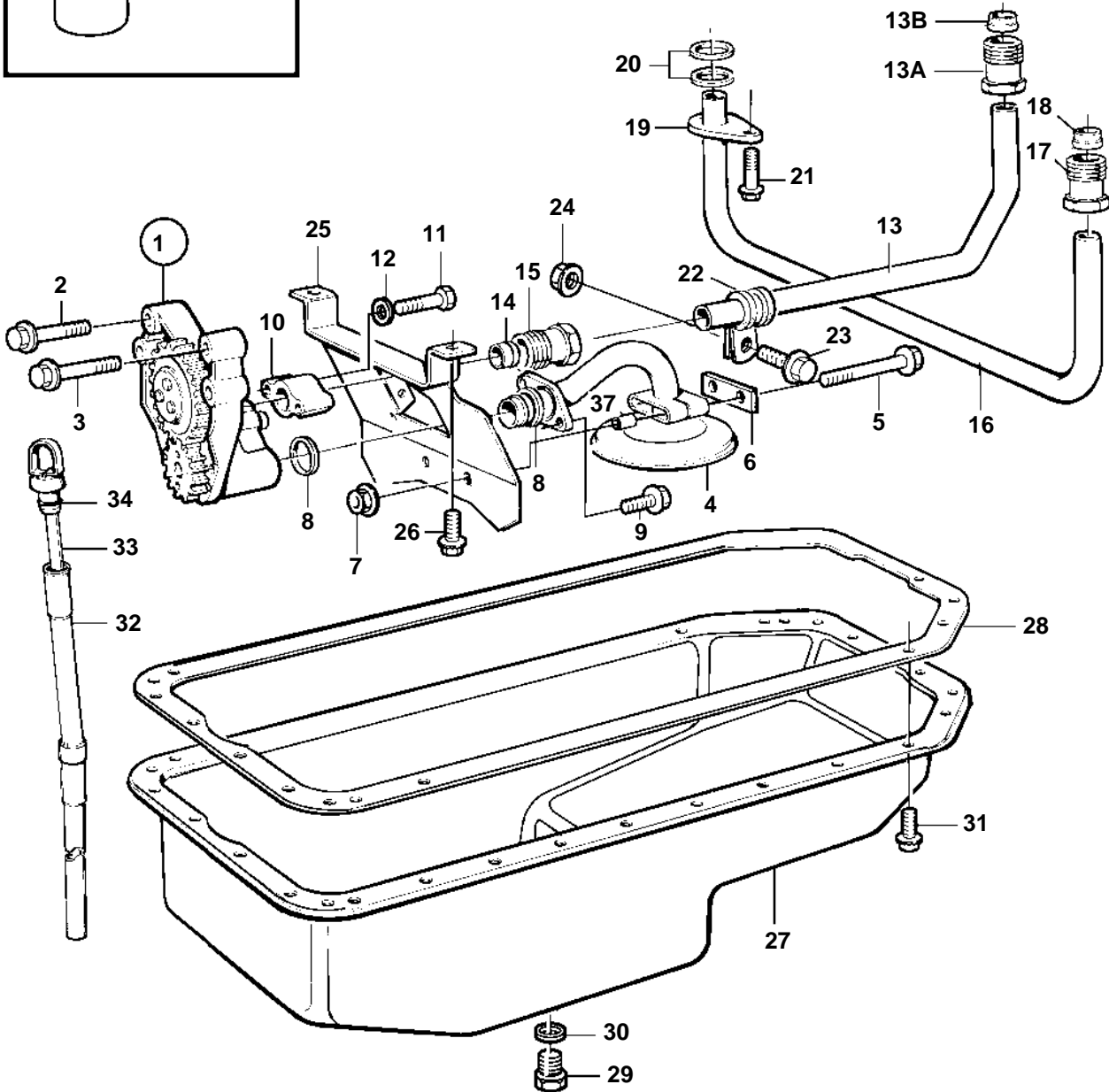
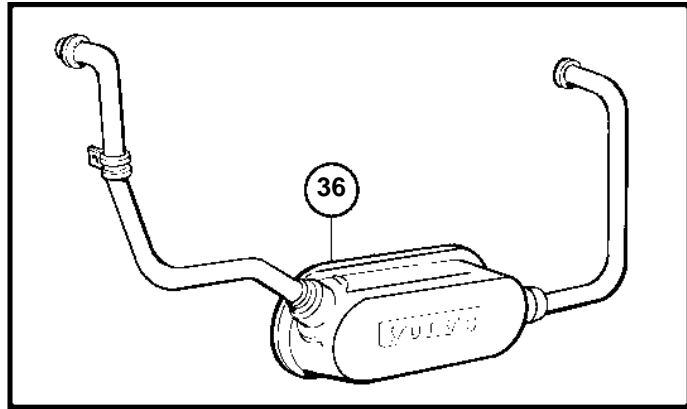
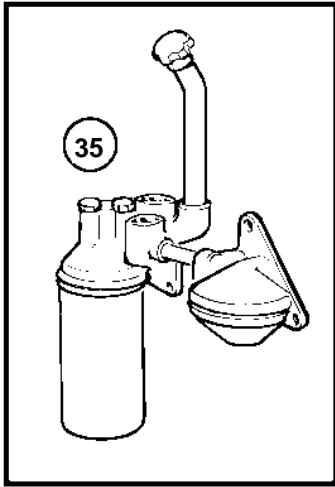


TAD730V



TAD730V

REF	PART NO.	QTY	DESCRIPTION	SEE SEC.	NOTES
1				4121	
				1537	
	864760	1	Oil pump	1537	
2	471513	4	Screw		M10x70mm
3	471734	2	Screw		M8x70mm
4	848586	1	Suction pipe		
5	965183	2	Flange screw		L=90mm
	965184	2	Screw		L=100mm
6	421750	1	Washer		
7	945408	2	Flange nut		
8	470383	2	Sealing ring		
9	965183	2	Flange screw		L=90mm
	965184	2	Screw		L=100mm
10	465846	1	Intermediate section		
11	968553	2	Screw		L=115mm
	968999	2	Screw		L=130mm
12	941907	2	Spring washer		
13	477948	1	Oil feed pipe		
13A	471595	1	· Pressure pipe connec		
13B	980786	1	· Ferrule		
14	980786	1	Ferrule		
15	471588	1	Pressure pipe connec		
16	420996	1	Oil feed pipe		
17	471595	1	· Pressure pipe connec		
18	980786	1	· Ferrule, piston cooling		
19	471746	1	· Clamp		
20	471956	2	· Sealing ring		
21	946440	1	Flange screw		
22	1545433	1	Clamp		
23	946440	1	Flange screw		
24	945408	1	Flange nut		
25	848588	1	Baffle plate		
26	946440	2	Flange screw		
27	11030522	1	Oil pan		
28	11030779	1	Gasket		
29	20571854	1	Plug		M24
30	18813	1	Gasket		
31	946440	36	Flange screw		
32	3837267	1	Tube		Oil dipstick mounted on right side.
	862055	1	Tube		Oil dipstick mounted on left side.
33	863797	1	Oil dipstick		Oil dipstick mounted on right side.
	862197	1	Oil dipstick		Oil dipstick mounted on left side.
34	925054	1	· O-ring		FOR 863797
	955984	1	Sealing ring		FOR 862197
35		1	Oil filter housing	3248	
36		1	Oil cooler	4128	
37	843075	1	Sleeve		