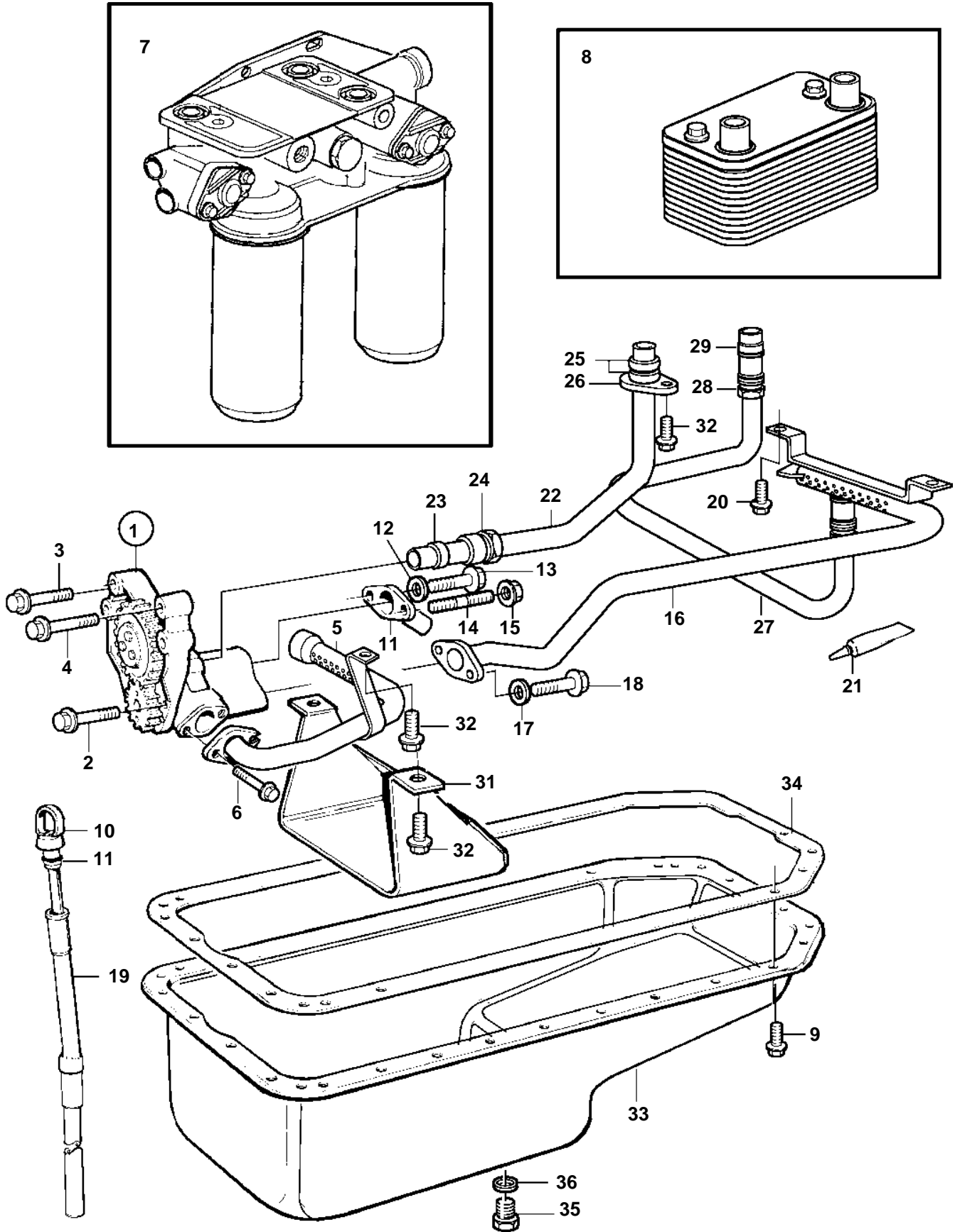


TWD740VE



TWD740VE

REF	PART NO.	QTY	DESCRIPTION	SEE SEC.	NOTES
1	11030633	1	Oil pump		
				1378	
2	465899	2	Screw		M10x70mm
3	471513	4	Screw		M8x70mm
4	471734	2	Screw		
5	3827686	1	Suction pipe		
6	946173	2	Flange screw		
7		1	Oil filter housing	3813	
8		1	Oil cooler	4144	
9	946440	36	Flange screw		
10	862446	1	Oil dipstick		
11	925054	1	O-ring		
12	955894	2	Washer		
13	955312	1	Screw		
14	947611	1	Stud		
15	955782	1	Nut		
16	3827526	1	Suction pipe		
17	955894	2	Washer		
18	955312	2	Screw		
19	3837267	1	Tube		
20	946440	2	Flange screw		
21	1161231	X	Sealant		
22	3830137	1	Oil feed pipe		
23	980786	1	Ferrule		
24	471595	1	Pressure pipe connec		
25	471956	2	Sealing ring, piston cooling		
26	471746	1	Clamp		
27	3827023	1	Oil feed pipe		
28	471595	2	· Pressure pipe connec		
29	980786	2	· Ferrule		
31	3826158	1	Oil reservoir		
32	946440	3	Flange screw		
33	847689	1	Oil pan		
34	11030779	1	Gasket		
35	20571854	1	Plug		
36	18813	1	Gasket		