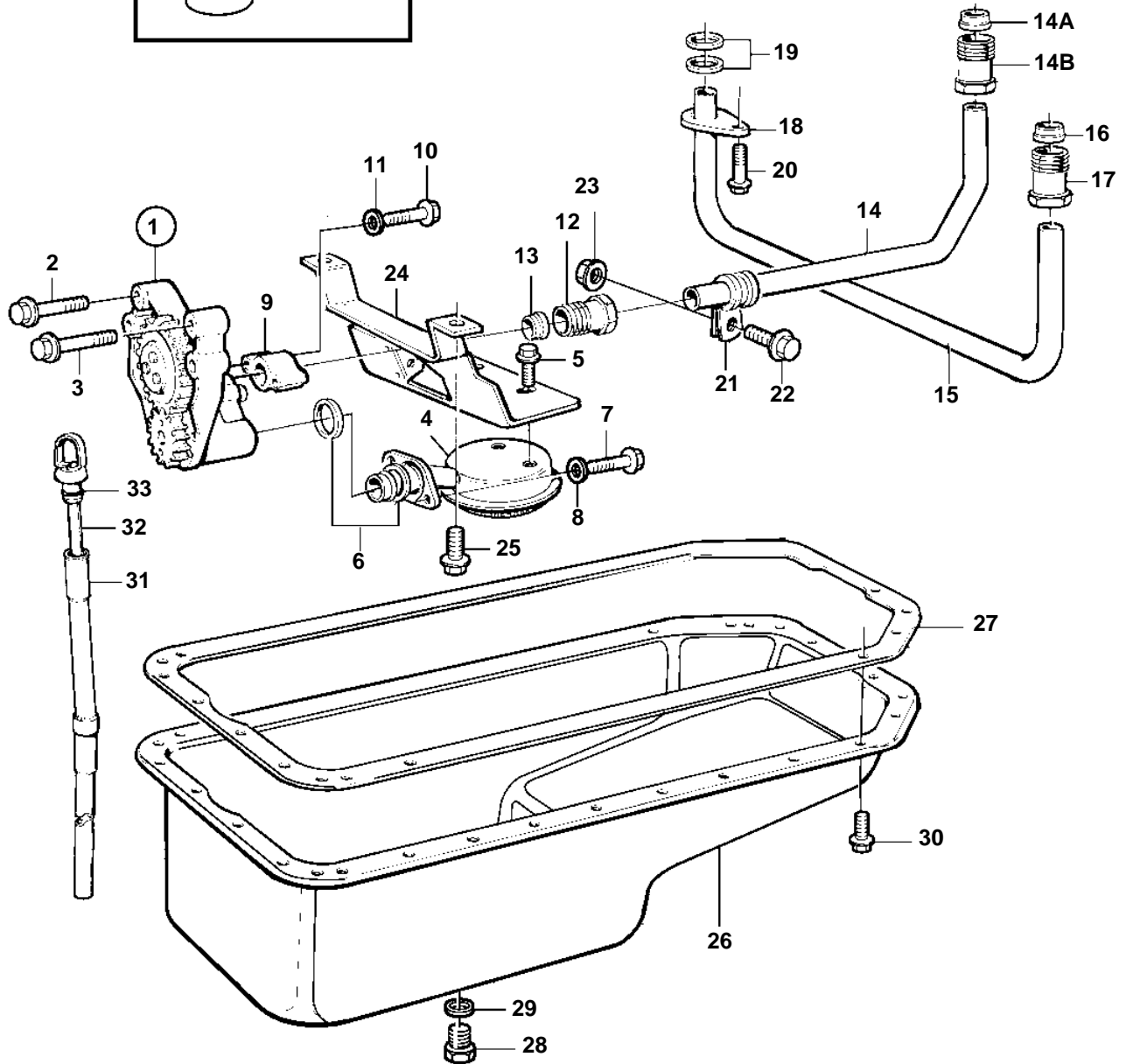
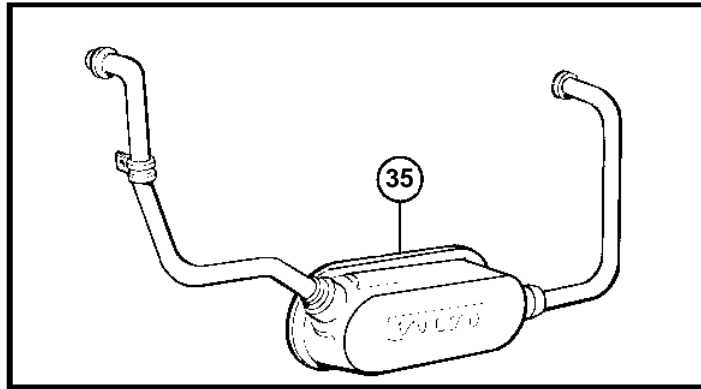
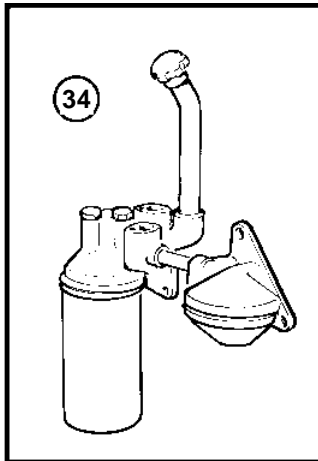


TD71A, TID71A, TD730VE, TWD731VE



TD71A, TID71A, TD730VE, TWD731VE

REF	PART NO.	QTY	DESCRIPTION	SEE SEC.	NOTES
1	477547	1	Oil pump		SN-2071097292
				4121	
	864760	1	Oil pump		SN2071097293-
				1537	
2	471513	4	Screw		M10x70mm
3	471734	2	Screw		M8x70mm
4	848941	1	Oil pump screen		
5	946440	2	Flange screw		
6	470383	2	Sealing ring		
7	965183	2	Flange screw		L=90mm
	965184	2	Screw		L=100mm
8	955894	2	Washer		
9	465846	1	Intermediate section		
10	968553	2	Screw		L=115mm
	968999	2	Screw		L=130mm
11	941907	2	Spring washer		
12	471588	1	Pressure pipe connec		
13	980786	1	Ferrule		
14	477947	1	Pipe		SN-2071097292
	477948	1	Oil feed pipe		SN2071097293-
14A	980786	1	· Ferrule		
14B	471595	1	· Pressure pipe connec		
15	420996	1	Oil feed pipe		
16	980786	1	· Ferrule		
17	471595	1	· Pressure pipe connec		
18	471746	1	· Clamp		
19	471956	2	· Sealing ring		
20	946440	1	Flange screw		
21	1545433	1	Clamp		
22	946440	1	Flange screw		
23	945408	1	Flange nut		
24	848076	1	Baffle plate		SN-2071097292
	3826485	1	Baffle plate		SN2071097293-
25	946440	2	Flange screw		
26	847689	1	Oil pan		
27	11030779	1	Gasket		(865342)
28	198	1	Screw		
29	18813	1	Gasket		
30	946440	36	Flange screw		
31	3837267	1	Tube		Oil dipstick mounted on right side.
	862055	1	Tube		Oil dipstick mounted on left side.
32	863797	1	Oil dipstick		Oil dipstick mounted on right side.
	862197	1	Oil dipstick		Oil dipstick mounted on left side.
33	925054	1	· O-ring		FOR 863797
	955984	1	Sealing ring		FOR 862197
34		1	Oil filter housing	3248	
35		1	Oil cooler	4128	