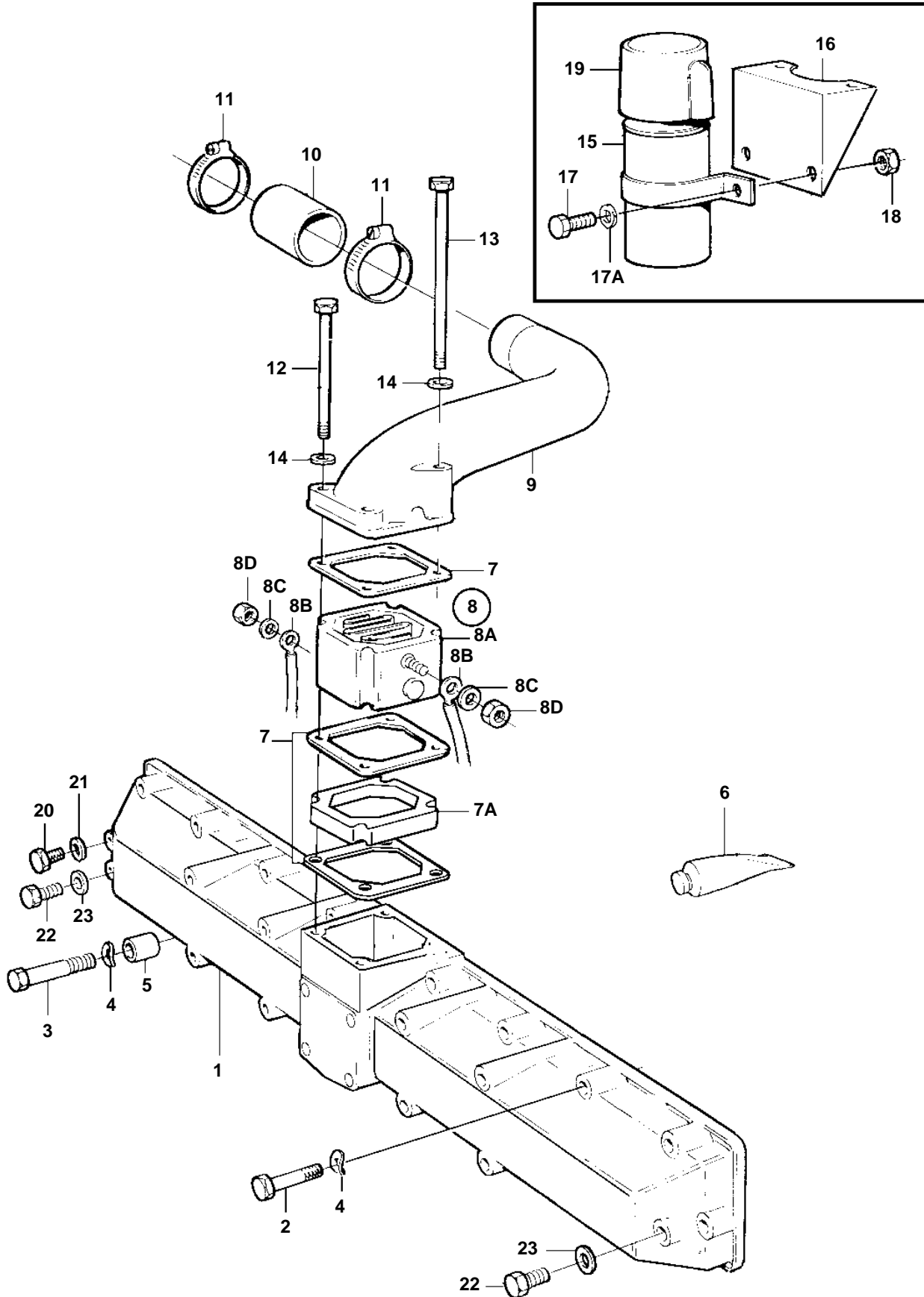


TD730VE



TD730VE

REF	PART NO.	QTY	DESCRIPTION	NOTES
1	471817	1	Inlet pipe	
2	965180	16	Flange screw	L=60mm
3	965183	2	Flange screw	L=90mm
4	941907	18	Spring washer	
5	848694	2	Spacer sleeve	
6	1161231	X	Sealant	
7	471682	2	Gasket	
8	848959	1	Starter heater kit	24V
	863377	1	Starter element	12V
8A		1	· Starter element	
8B		2	· Cable	
8C	955894	2	· Washer	
8D	17624	2	· Nut	
9	3825496	1	Connection pipe	
10	865747	1	Hose	
11	943480	2	Clamp	
12	969225	2	Flange screw	L=120mm
13	968893	2	Screw	L=150mm
14	955894	2	Washer	TH=1,5mm
	120265	4	Washer	TH=2,5mm
	873962	1	Relay	24V, When replacing the relay, also install diod 873789.
	872242	1	Relay	12V, When replacing the relay, also install diod 873789.
16	843400	1	Attaching plate	
17	955244	2	Screw	
17A	940090	2	Washer	
18	946577	2	Lock nut	
19	1581123	1	Cover	
20	960628	1	Plug	M10
21	18665	1	Gasket	
22	960629	2	Plug	M12
23	11994	2	Gasket	