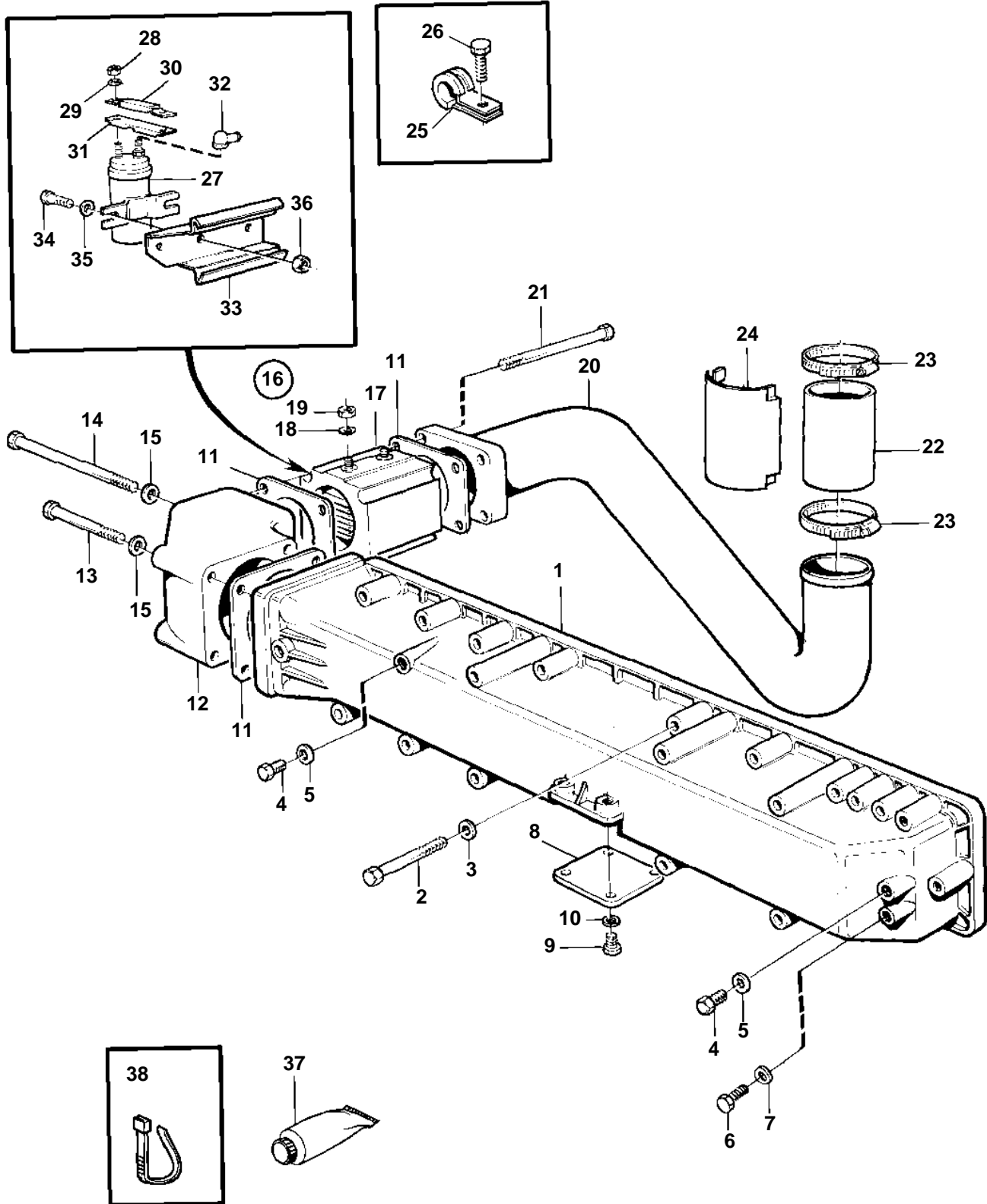


TD730VE



TD730VE

REF	PART NO.	QTY	DESCRIPTION	NOTES
1	421532	1	Inlet pipe	
2	965180	17	Flange screw	
3	941907	17	Spring washer	
4	960629	2	Plug	M12
5	11994	2	Gasket	
6	960628	1	Plug	M10
7	18665	1	Gasket	
8	465957	1	Cover	
9	946671	4	Flange screw	
10	941907	4	Spring washer	
11	424619	3	Gasket	
12	849251	1	Connection pipe	
13	965183	2	Flange screw	
14	969225	2	Flange screw	
15	941907	4	Spring washer	
16	848959	1	Starter heater kit	24V
	863377	1	Starter element	12V
17		1	• Starter element	
18	955894	2	• Washer	
19	17624	2	• Nut	
20	3825504	1	Connection pipe	
21	968842	4	Flange screw	
22	865747	1	Hose	
23	943480	2	Clamp	
24		1	Heat shield	
25	949747	1	Clamp	
26	946440	1	Flange screw	
27	873962	1	Relay	24V, When replacing the relay, also install diod 873789.
	872242	1	Relay	12V, When replacing the relay, also install diod 873789.
28	955782	2	• Nut	
29	941907	2	• Spring washer	
30	421692	1	Support	
31	471477	1	Fuse	
32	842150	1	Protective cap	
33	866463	1	Attaching plate	
34	955244	2	Screw	
35	940090	2	Washer	
36	946577	2	Lock nut	
37	1161277	X	Sealant	
38	948211	4	Strip clamp	