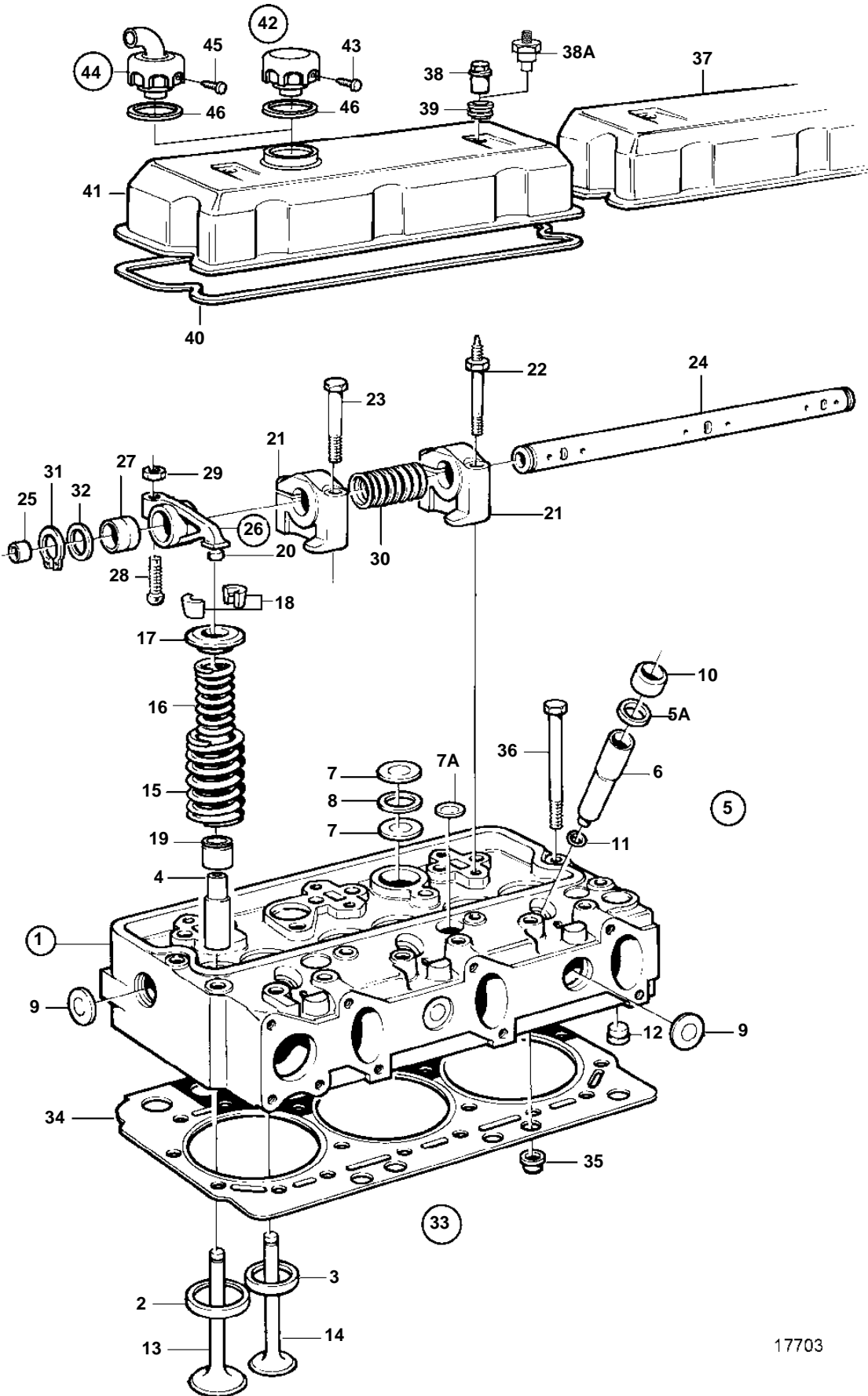


TWD740VE



17703

TWD740VE

REF	PART NO.	QTY	DESCRIPTION	NOTES
1	477833	2	Cylinder head	
	3803525	2	Cylinder head, exch, exch	
2	477657	6	• Valve seat	
	477658	6	• Valve seat	OVER SIZE
3	477659	6	• Valve seat	
	477667	6	• Valve seat	OVER SIZE
4	477877	12	• Valve guide	
5	276130	6	• Copper sleeve kit	
5A	466922	6	• • O-ring	
6		6	• • Spray sleeve	
7	466405	6	• • Rubber ring	
7A	477026	6	• • Expansion plug	
8	466420	6	• • Steel ring	
9	477024	8	• Expansion plug	
10	947626	4	• Gasket	
11	477026	8	• Expansion plug	
12	465420	10	• Nozzle	
13	3978768	6	Inlet valve	
14	3978766	6	Exhaust valve	
15	466384	12	Valve spring	
16	466383	12	Spring	
17	477451	12	Valve spring washer	
18	1677875	24	Valve collet	
19	859171	12	Valve stem seal	
20	477449	12	Valve cap	
21	477384	6	Bearing bracket	
22	471512	4	Stud	
23	471513	8	Screw	
24	471518	2	Rocker arm shaft	
25	946778	2	• Cap plug	
26	422063	12	Rocker arm	
27	422066	12	• Bushing	
28	422993	12	• Ball stud	
29	940175	12	• Nut	
30	421173	4	Spring	
31	914459	4	Lock ring	
32	941488	4	Washer	
33	276816	2	Gasket kit	
34		2	• Gasket	
35	465784	12	• Sealing ring	
	466421	16	• Sealing ring	
	422413	2	• Sealing ring	
36	471481	40	Screw	
37	471426	2	Valve cover	
38	465961	1	Nut	
38A	8148489	3	Anchorage	
39	471856	4	Sealing ring	
40	477968	2	Gasket	
41	471813	1	Valve cover	With hole for oil filler cap.
42	421753	1	Oil filler cap	
43	955126	3	• Screw	
44	866979	1	Oil filler cap	
45	955126	3	• Screw	
46	1275379	1	Gasket	

7746080 - 21 - 4097

17703

Upd: 2006-11-02

TD71A, TID71A, TWD710V, TD730VE, TWD731VE, TAD730V, TWD740VE