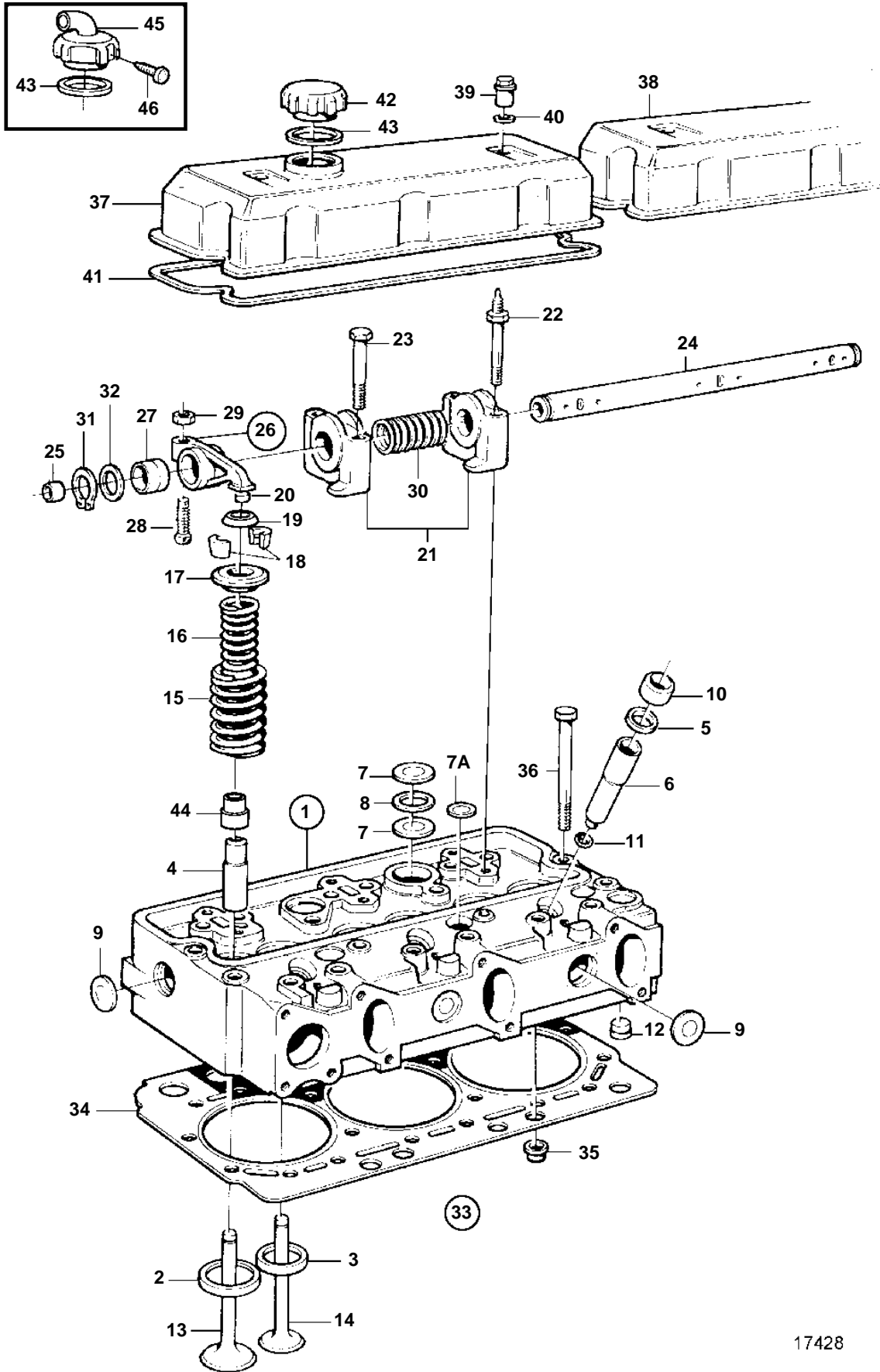


TWD710V



17428

TWD710V

REF	PART NO.	QTY	DESCRIPTION	NOTES
1	471409	2	Cylinder head	E.U=3803100
	3803311	2	Cylinder head, exch, exch	E.U=3803100
2	421011	6	• Valve seat	
	421316	6	• Valve seat	
3	466266	6	• Valve seat	
	466307	6	• Valve seat	
4	466386	12	• Valve guide	
5	466405	6	• Rubber ring	Included in kit 276130.
6	276130	6	• Copper sleeve kit	The copper sleeve kit includes sleeve, steel ring, o-ring and rubber ring.
7	477026	8	• Expansion plug	
7A	477026	6	• Expansion plug	
8	947626	4	• Gasket	
9	477024	8	• Expansion plug	
10	466420	6	• Steel ring	Included in kit 276130.
11	466922	6	• O-ring	Included in kit 276130.
12	465420	10	• Nozzle	
13	466379	6	Inlet valve	
14	842080	6	Exhaust valve	
15	466384	12	Valve spring	
16	466383	12	Spring	
17	466382	12	Washer	
18	468305	24	Valve collet	
19	469456	12	Protecting ring	
20	478074	12	Valve cap	
21	477384	6	Bearing bracket	
22	471512	4	Stud	
23	471513	8	Screw	
24	471518	2	Rocker arm shaft	
25	946778	2	• Cap plug	
26	422063	12	Rocker arm	
27	422066	12	• Bushing	
28	422993	12	• Ball stud	
29	940175	12	• Nut	
30	421173	4	Spring	
31	914459	4	Lock ring	
32	941488	4	Washer	
33	276816	2	Gasket kit	
34		2	• Gasket	
35	465784	12	• Sealing ring	
	466421	16	• Sealing ring	
	422413	2	• Sealing ring	
36	471481	40	Screw	
37	471813	X	Valve cover	STD
38	471426	X	Valve cover	ALT
39	465961	4	Nut	
40	471856	4	Sealing ring	
41	471520	2	Gasket	
42	421753	X	Oil filler cap	ALT
43	1275379	X	Gasket	ALT
45	866979	X	Oil filler cap	ALT
46	955126	3	• Screw	