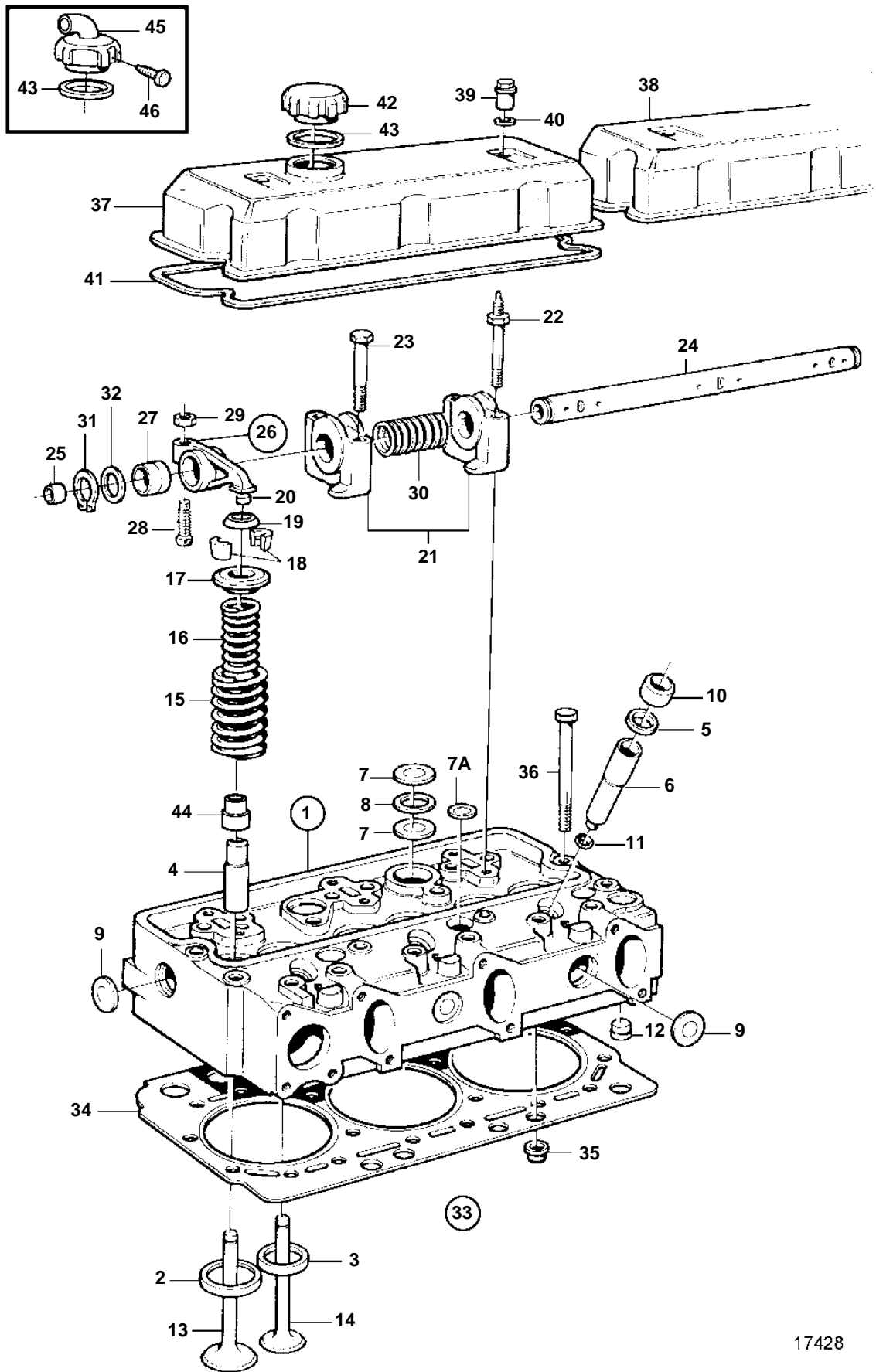


TID71A



17428

TID71A

REF	PART NO.	QTY	DESCRIPTION	NOTES
1	471409	2	Cylinder head	E.U=3803100
	3803311	2	Cylinder head, exch, exch	E.U=3803100
2	421011	6	· Valve seat	
	421316	6	· Valve seat	
3	466266	6	· Valve seat	
	466307	6	· Valve seat	
4	466386	12	· Valve guide	
5	466405	6	· Rubber ring	Included in kit 276130.
6	276130	6	· Copper sleeve kit	The copper sleeve kit includes sleeve, steel ring, o-ring and rubber ring.
7	477026	8	· Expansion plug	
7A	477026	6	· Expansion plug	
8	947626	4	· Gasket	
9	477024	8	· Expansion plug	
10	466420	6	· Steel ring	Included in kit 276130.
11	466922	6	· O-ring	Included in kit 276130.
12	465420	10	· Nozzle	
13	466379	6	Inlet valve	
14	842080	6	Exhaust valve	
15	466384	12	Valve spring	
16	466383	12	Spring	SN-2071104427
17	466382	12	Washer	
18	468305	24	Valve collet	
19	469456	12	Protecting ring	SN-2071104427
20	478074	12	Valve cap	
21	477384	6	Bearing bracket	
22	471512	4	Stud	
23	471513	8	Screw	
24	471518	2	Rocker arm shaft	
25	946778	2	· Cap plug	
26	422063	12	Rocker arm	
27	422066	12	· Bushing	
28	422993	12	· Ball stud	
29	940175	12	· Nut	
30	421173	4	Spring	
31	914459	4	Lock ring	
32	941488	4	Washer	
33	276816	2	Gasket kit	
34		2	· Gasket	
35	465784	12	· Sealing ring	
	466421	16	· Sealing ring	
	422413	2	· Sealing ring	
36	471481	40	Screw	
37	471813	X	Valve cover	STD
38	471426	X	Valve cover	ALT
39	465961	4	Nut	
40	471856	4	Sealing ring	
41	471520	2	Gasket	
42	421753	X	Oil filler cap	ALT
43	1275379	X	Gasket	ALT
44	864861	12	Valve stem seal	SN2071104428-
45	866979	X	Oil filler cap	ALT
46	955126	3	· Screw	