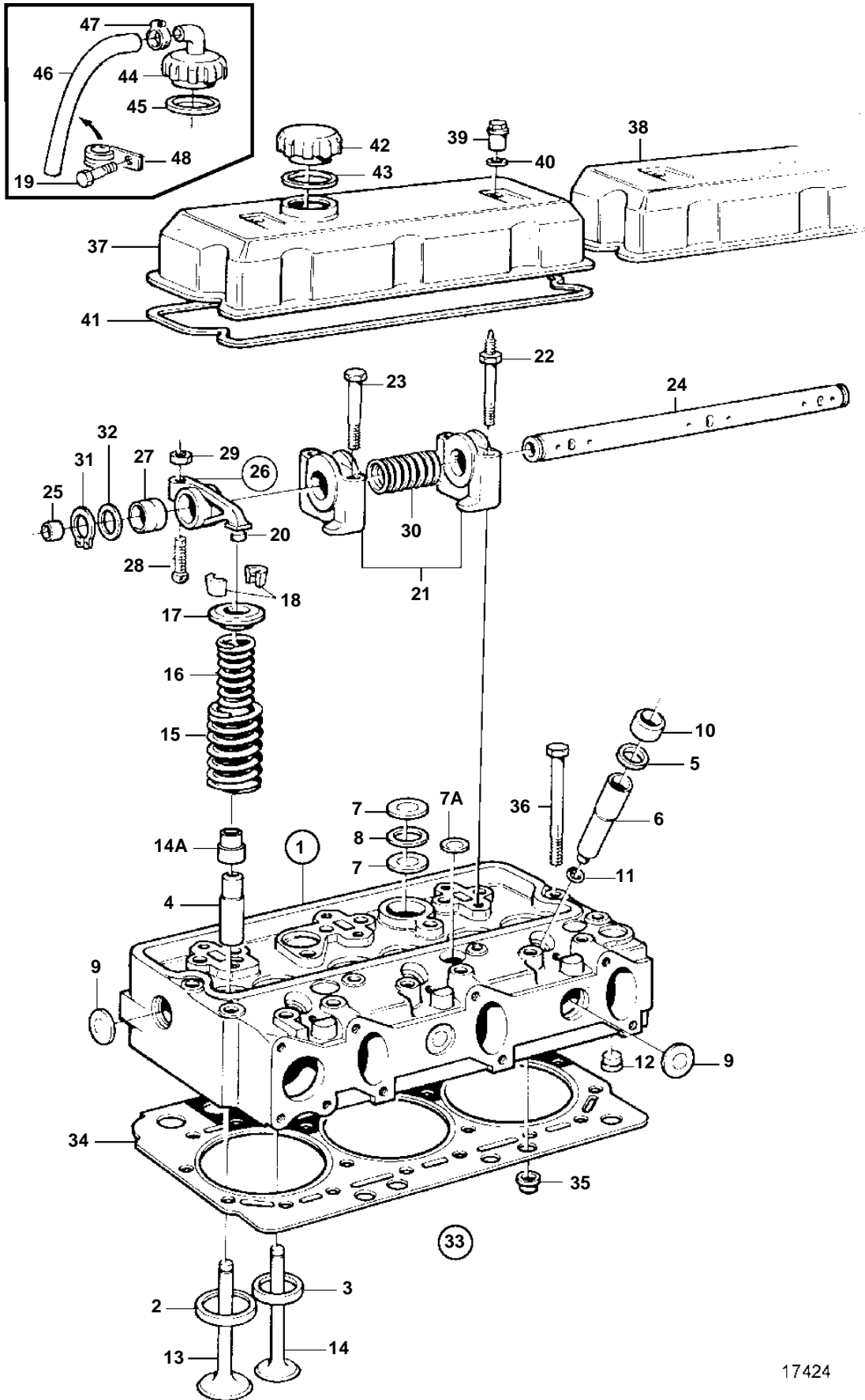


TD730VE



17424

## TD730VE

REF	PART NO.	QTY	DESCRIPTION	NOTES
1	477797	2	Cylinder head	
	3803286	2	Cylinder head, exch, exch	
2	477657	6	· Valve seat, intake	STD
	477658	6	· Valve seat	OVER SIZE
3	477659	6	· Valve seat, exhaust	STD
	477667	6	· Valve seat	OVER SIZE
4	477877	12	· Valve guide	
5	466405	6	· Rubber ring	
6	477928	6	· Spray sleeve	REPL BY 276130
	276130	6	· Copper sleeve kit	The copper sleeve kit includes sleeve, steel ring, o-ring and rubber ring.
7	477026	8	· Expansion plug	
7A	477026	6	· Expansion plug	
8	947626	4	· Gasket	
9	477024	8	· Expansion plug	
10	466420	6	· Steel ring	
11	466922	6	· O-ring	
12	465420	10	· Nozzle	
13	3978768	6	· Inlet valve	
14	3978766	6	· Exhaust valve	
14A	859171	12	· Valve stem seal	
15	466384	12	· Valve spring, outer	
16	466383	12	· Spring, inner	
17	477451	12	· Valve spring washer	
18	1677875	24	· Valve collet	
19	946440	1	Flange screw	
20	477449	12	Valve cap	
21	477384	6	Bearing bracket	
22	471512	4	Stud	
23	471513	8	Screw	
24	471518	2	Rocker arm shaft	
25	946778	2	· Cap plug	
26	422063	12	Rocker arm	
27	422066	12	· Bushing	
28	422993	12	· Ball stud	
29	940175	12	· Nut	
30	421173	4	Spring	
31	914459	4	Lock ring	
32	941488	4	Washer	
33	276816	2	Gasket kit	(275779)
34		2	· Gasket	Included in gasket kit.
35	465784	12	· Sealing ring	D=26mm, Included in gasket kit.
	466421	16	· Sealing ring	D=19mm, Included in gasket kit.
	422413	2	· Sealing ring	Included in gasket kit., D=14mm
36	471481	40	Screw	
37	471813	2	Valve cover	ALT
	471813	1	Valve cover	For engine, 40° inclination.
38	471426	2	Valve cover	STD
	471426	1	Valve cover	For engine, 40° inclination.
39	465961	4	Nut	
	465961	3	Nut	For turbo mounted low.
	477971	1	Cap nut	For turbo mounted low.
40	471856	4	Sealing ring	
41	471520	2	Gasket	
42	421753	2	Oil filler cap	ALT
43	1275379	2	Gasket	ALT
44	3829571	1	Breather cap	For engine, 40° inclination.
45	1275379	1	Gasket	For engine, 40° inclination.
46	844508	1	Hose	For engine, 40° inclination.
47	943473	1	Hose clamp	For engine, 40° inclination.
48	952637	1	Clamp	For engine, 40° inclination.