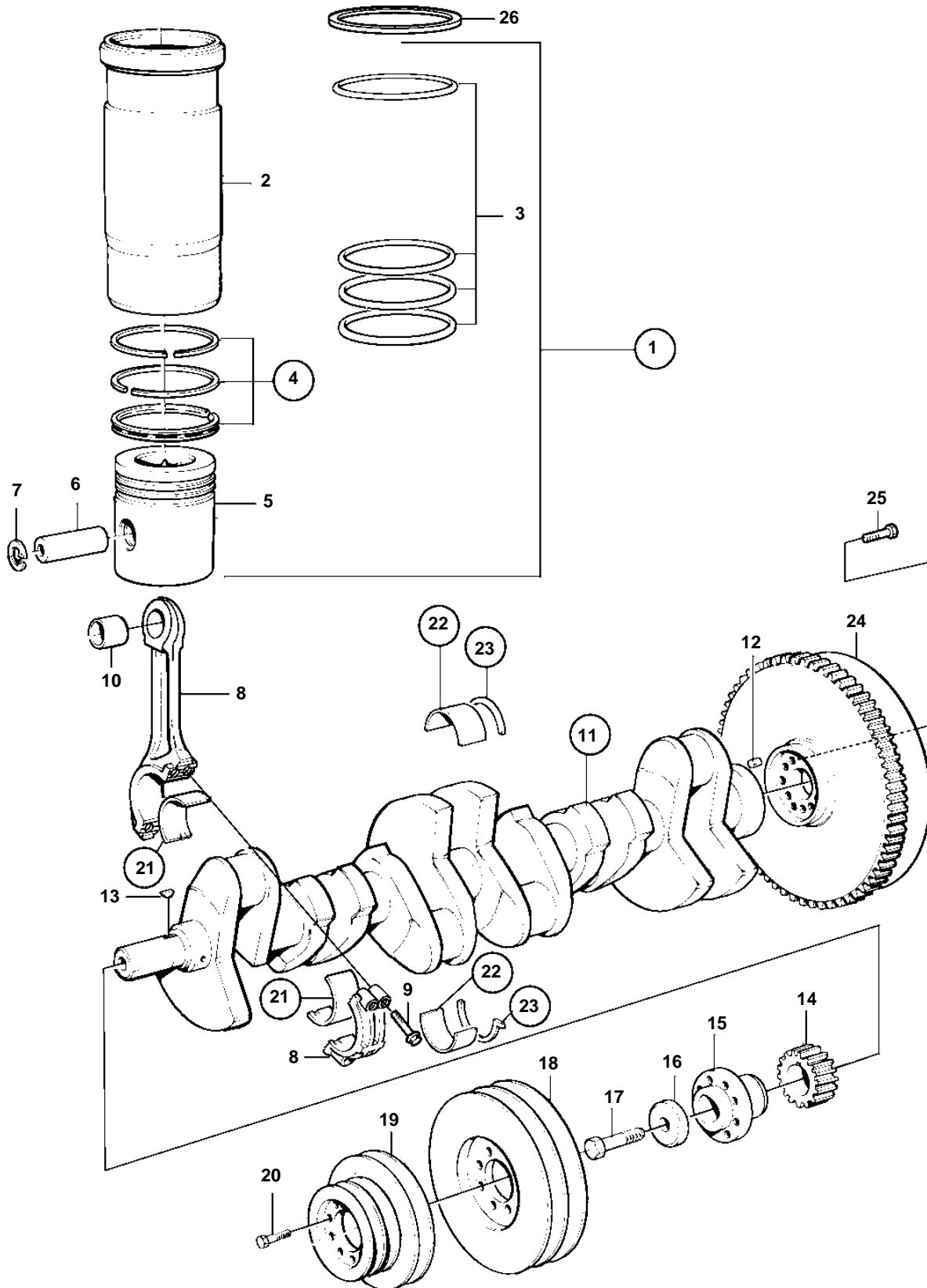


TWD740VE



17660

TWD740VE

REF	PART NO.	QTY	DESCRIPTION	SEE SEC.	NOTES
1	3839267	6	Cylinder liner kit		
2		6	· Cylinder liner		
3	271159	6	· Sealing ring kit		
4	276905	6	· Piston ring kit		
5		6	· Piston		
6	8192764	6	· Piston pin		
7	914526	12	· Snap ring		
8	8192800	6	Connecting rod		
9	8192804	24	· Screw		
10	8192803	6	· Bushing		
11	3807224	1	Crankshaft		
12	950681	1	· Locating pin		
13	422253	1	· Woodruff key		
14	471528	1	Gear		
			· Bulletin 45-01	45-01-EN	Timing Gears, 71, 100, 121
15	465779	1	Hub		
16	420124	1	Washer		
17	470366	1	Screw		
18	888020	1	Pulley		
19	4772117	1	Pulley		
	466493	1	Pulley		O.D=160mm, For crankshaft mounted fan (4-groove).
		1	Pulley		For power take off., O.D=202mm
20	471529	8	Screw		
	465840	8	Screw		FOR 847783
21	276909	6	Big end bearing kit		STD
	276910	6	Big end bearing kit		U.S=0,25mm
	276911	6	Big end bearing kit		U.S=0,50mm
	276912	6	Big end bearing kit		U.S=0,76mm
22	276894	7	Main bearing kit		STD
	276895	7	Main bearing kit		U.S=0,25mm
	276896	7	Main bearing kit		U.S=0,50mm
	276897	7	Main bearing kit		U.S=0,76mm
	276898	7	Main bearing kit		U.S=1,01mm
		7	Main bearing kit		U.S=1,27mm
23	276890	1	Thrust washer kit		STD
	276891	1	Thrust washer kit		O.S=0,10mm
	276892	1	Thrust washer kit		O.S=0,20mm
	276893	1	Thrust washer kit		O.S=0,30mm
24		1	Flywheel		See page with flywheel and flywheel housing.
25		9	Screw		See page with flywheel and flywheel housing.
26	3978758	X	Shim		Use only when repairing., TH = 0,12mm
	3978759	X	Shim		Use only when repairing., TH=0,20mm
	3978760	X	Shim		Use only when repairing., TH = 0,30mm
	3978761	X	Shim		Use only when repairing., TH = 0,50mm

7746080 - 21 - 4102

17660

Upd: 2006-11-02

TD71A, TID71A, TWD710V, TD730VE, TWD731VE, TAD730V, TWD740VE

VOLVO
PENTA