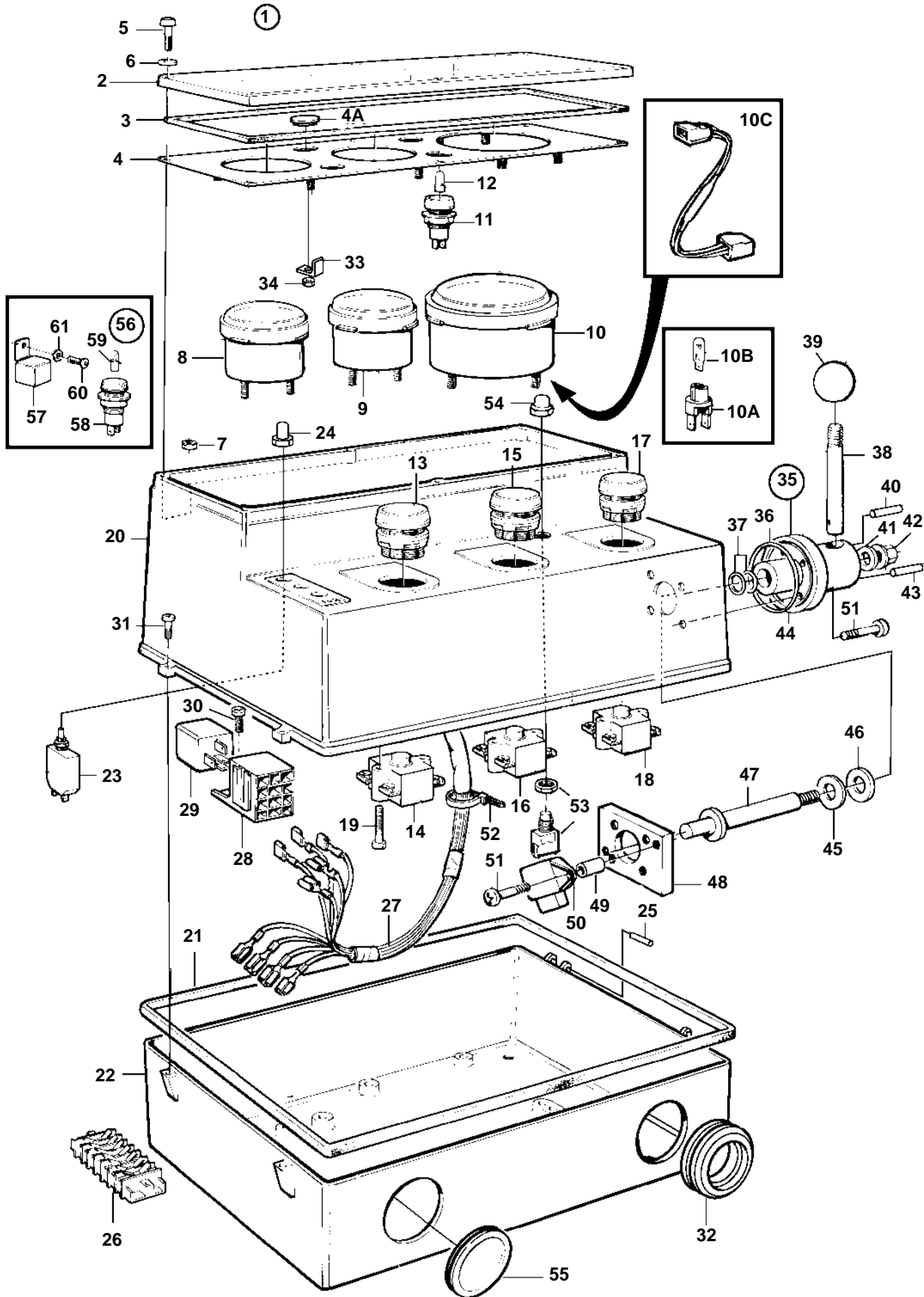


TWD740VE



TWD740VE

| REF | PART NO. | QTY | DESCRIPTION | NOTES |
|-----|----------|-----|------------------------------------|---|
| 1 | | 1 | Instrument panel | |
| 2 | 873654 | 1 | • Cover glass | |
| 3 | 849885 | 1 | • Sealing strip | |
| 4 | 873614 | 1 | • Instrument plate | |
| 4A | | 3 | • Protecting plug | |
| 5 | 849963 | 6 | • Screw | |
| 6 | 862501 | 6 | • Gasket | |
| 7 | 965483 | 6 | • Nut | |
| 8 | 873625 | 1 | • Instrument, oil-pressure | 24V |
| 9 | 873624 | 1 | • Instrument, temperature | 24V |
| 10 | 873998 | 1 | • Rev counter kit, hour/tachometer | 12V-24V, Used without diod cable 873695 |
| 10A | 863945 | 1 | • • Bulb socket | FOR 873625,873624,873664 |
| 10B | 943638 | 1 | • • Bulb | FOR 873625,873624,873664 |
| 10C | 873695 | 1 | • Diode cable, tachometer | For tachometer without built-in diod. |
| 11 | 849966 | 1 | • Bulb socket | Warning lamp, charging. |
| 12 | 182034 | 1 | • Bulb | |
| 13 | 3817576 | 1 | • Push button | RED |
| 14 | 3817574 | 1 | • Switch | GREEN-RED |
| 15 | 3817578 | 1 | • Switch | BLACK |
| 16 | 3817574 | 1 | • Switch | GREEN-RED |
| 17 | 3817577 | 1 | • Push button | GREEN |
| 18 | 3817575 | 1 | • Switch | GREEN |
| 19 | 956063 | 6 | • Screw | |
| 20 | 873803 | 1 | • Cover | |
| 21 | 849840 | 1 | • Sealing strip | |
| 22 | 849839 | 1 | • Box | |
| 23 | 968821 | 1 | • Fuse | 16A |
| | 966689 | 1 | • Fuse | 8A |
| 24 | 862006 | 2 | • Protective cap | |
| 25 | 951967 | 2 | • Spring pin | |
| 26 | 849992 | 1 | • Terminal block | 5-POLE |
| | 849993 | 2 | • Terminal block | 7-POLE |
| 27 | 873793 | 1 | • Wiring harness | |
| 28 | 977184 | 3 | • • Tab housing | |
| 29 | 20374662 | 2 | • Relay | 24V |
| 30 | 956074 | 3 | • Screw | |
| 31 | 862281 | 2 | • Screw | |
| 32 | 943920 | 1 | • Protecting plug | |
| 33 | | 8 | • Brace | |
| 34 | 963103 | 8 | • Lock nut | |
| 35 | 3827009 | 1 | • Control | |
| 36 | 975672 | 1 | • • O-ring | |
| 37 | 925054 | 2 | • • O-ring | |
| 38 | | 1 | • • Shaft | |
| 39 | 940344 | 1 | • • Ball | |
| 40 | 951946 | 1 | • • Tensioning din | |
| 41 | 955893 | 1 | • • Washer | |
| 42 | 963105 | 1 | • • Nut | |
| 43 | 951953 | 1 | • • Pin | |
| 44 | | 1 | • • Hub | |
| 45 | 941908 | 1 | • • Spring washer | |
| 46 | 976945 | 1 | • • Washer | |
| 47 | | 1 | • • Shaft | |
| 48 | | 1 | • Nut plate | |
| 49 | 1573057 | 2 | • Spacer sleeve | |
| 50 | 1336385 | 1 | • Potentiometer | |
| 51 | 969556 | 6 | • Screw | |
| 52 | 948211 | X | • Strip clamp | |
| 53 | 828584 | 1 | • Switch | |
| 54 | 828586 | 1 | • Nut | |
| 55 | 943920 | 1 | • Protecting plug | |
| 56 | | 1 | Alarm separator | |
| 57 | 863724 | 1 | • Alarm separator | |

