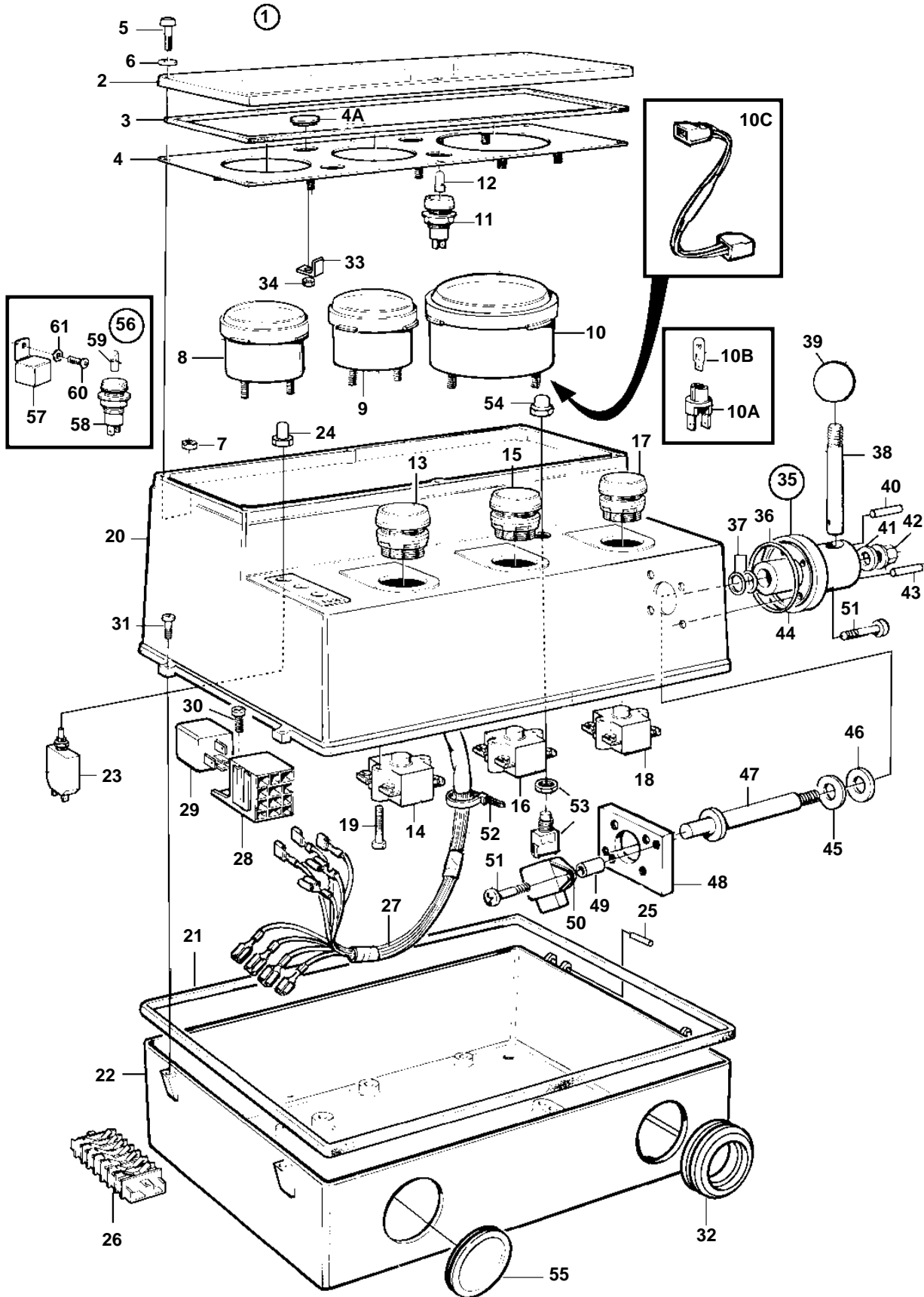


TWD740VE



## TWD740VE

REF	PART NO.	QTY	DESCRIPTION	NOTES
1		1	Instrument panel	
2	873654	1	• Cover glass	
3	849885	1	• Sealing strip	
4	873614	1	• Instrument plate	
4A		3	• Protecting plug	
5	849963	6	• Screw	
6	862501	6	• Gasket	
7	965483	6	• Nut	
8	873625	1	• Instrument, oil-pressure	24V
9	873624	1	• Instrument, temperature	24V
10	873998	1	• Rev counter kit, hour/tachometer	12V-24V, Used without diod cable 873695
10A	863945	1	• • Bulb socket	FOR 873625,873624,873664
10B	943638	1	• • Bulb	FOR 873625,873624,873664
10C	873695	1	• Diode cable, tachometer	For tachometer without built-in diod.
11	849966	1	• Bulb socket	Warning lamp, charging.
12	182034	1	• Bulb	
13	3817576	1	• Push button	RED
14	3817574	1	• Switch	GREEN-RED
15	3817578	1	• Switch	BLACK
16	3817574	1	• Switch	GREEN-RED
17	3817577	1	• Push button	GREEN
18	3817575	1	• Switch	GREEN
19	956063	6	• Screw	
20	873803	1	• Cover	
21	849840	1	• Sealing strip	
22	849839	1	• Box	
23	968821	1	• Fuse	16A
	966689	1	• Fuse	8A
24	862006	2	• Protective cap	
25	951967	2	• Spring pin	
26	849992	1	• Terminal block	5-POLE
	849993	2	• Terminal block	7-POLE
27	873793	1	• Wiring harness	
28	977184	3	• • Tab housing	
29	20374662	2	• Relay	24V
30	956074	3	• Screw	
31	862281	2	• Screw	
32	943920	1	• Protecting plug	
33		8	• Brace	
34	963103	8	• Lock nut	
35	3827009	1	• Control	
36	975672	1	• • O-ring	
37	925054	2	• • O-ring	
38		1	• • Shaft	
39	940344	1	• • Ball	
40	951946	1	• • Tensioning din	
41	955893	1	• • Washer	
42	963105	1	• • Nut	
43	951953	1	• • Pin	
44		1	• • Hub	
45	941908	1	• • Spring washer	
46	976945	1	• • Washer	
47		1	• • Shaft	
48		1	• Nut plate	
49	1573057	2	• Spacer sleeve	
50	1336385	1	• Potentiometer	
51	969556	6	• Screw	
52	948211	X	• Strip clamp	
53	828584	1	• Switch	
54	828586	1	• Nut	
55	943920	1	• Protecting plug	
56		1	Alarm separator	
57	863724	1	• Alarm separator	

