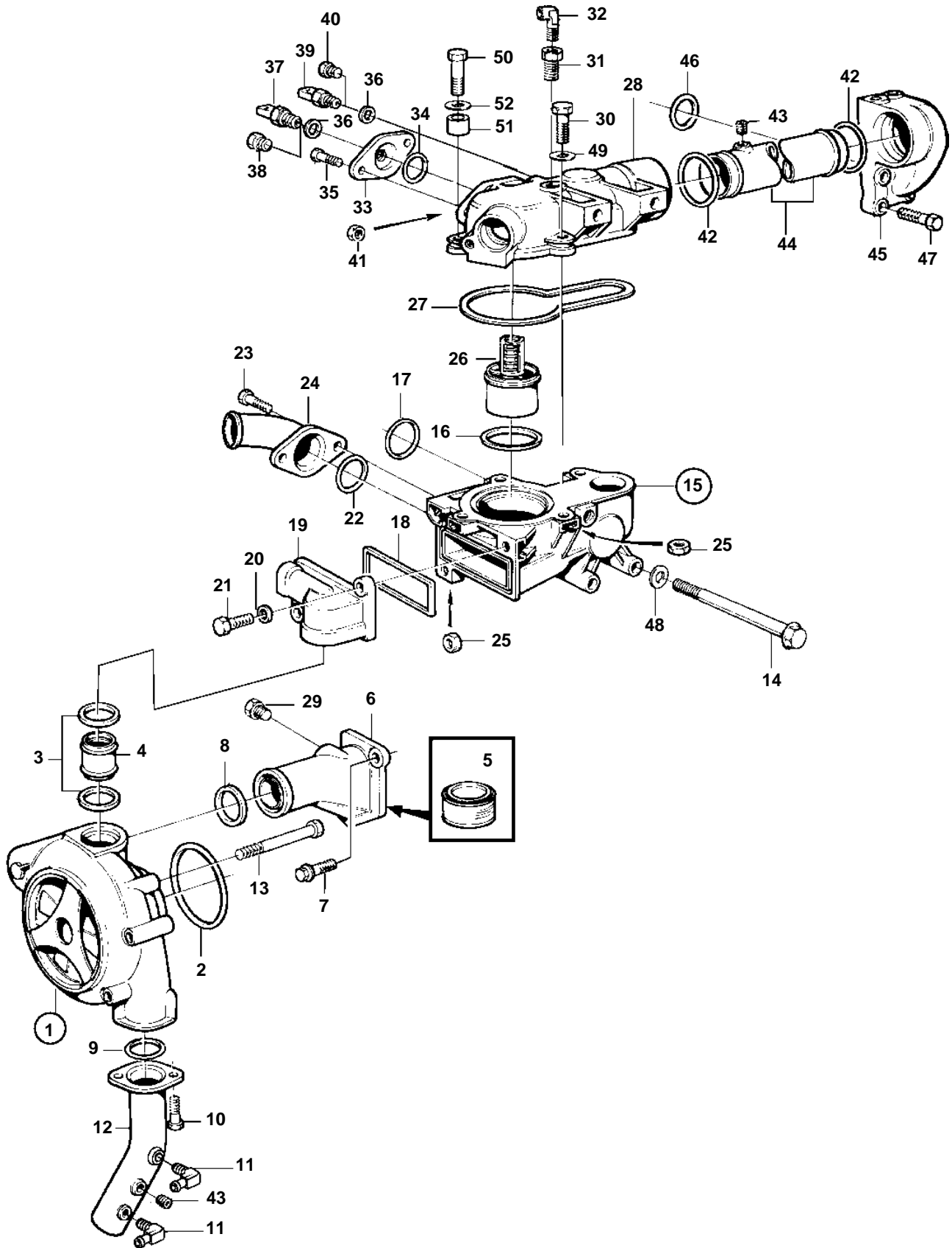


TWD740VE



TWD740VE

REF	PART NO.	QTY	DESCRIPTION	NOTES
1	20575653	1	Circulation pump	
	3803839	1	Circ. pump, exch, exch	
			• Comps. not spec.	
2	967344	1	O-ring	
3	469982	2	Sealing ring	
4	471634	1	Tube	
5	1161231	X	Sealant	
	1161277	X	Sealant	
6	848131	1	Intermediate section	
7	946472	2	Screw	
8	471629	1	Sealing ring	
9	925092	1	O-ring	
10	945444	2	Flange screw	
11	942649	1	Nipple	
12	3827700	1	Coolant pipe	
13	965190	3	Screw	FLANGE SCREW
	970960	1	Screw	HEXAGON SCREW
14	965189	3	Flange screw	
15	876628	1	Thermostat housing	Anodic treatment.
16	1544710	1	• Sealing ring	
17	477059	1	O-ring	
18	471816	1	Sealing ring	
19	471822	1	Housing	
20	941907	2	Spring washer	
21	945444	2	Flange screw	
22	925092	1	O-ring	
23	945444	2	Flange screw	
24	848381	1	Water pipe	
25	955782	5	Nut	
26	3839110	1	Thermostat	
27	471788	1	Sealing ring	
28	420968	1	Cover	
29	479976	1	Plug	
30	946470	3	Flange screw	
31	1136966	1	Nipple	
32	16218	1	Elbow nipple	
33	3830530	1	Flange	
34	469477	1	O-ring	
35	945444	2	Flange screw	
36	11998	1	Gasket	
37		1	Temperature sensor	
38	960632	1	Plug	
39		1	Temperature contact	
40	960632	1	Plug	
41	955782	2	Nut	
42	469982	2	Sealing ring	
43	479977	X	Plug	
44	848656	1	Tube	
45	465911	1	Tube	
46	477059	1	O-ring	
47	965186	2	Flange screw	L=50mm
	965187	1	Screw	L=60mm
48	941908	3	Spring washer	
49	941907	3	Spring washer	
50	973924	1	Flange screw	
51	843075	1	Sleeve	
52	191172	1	Washer	