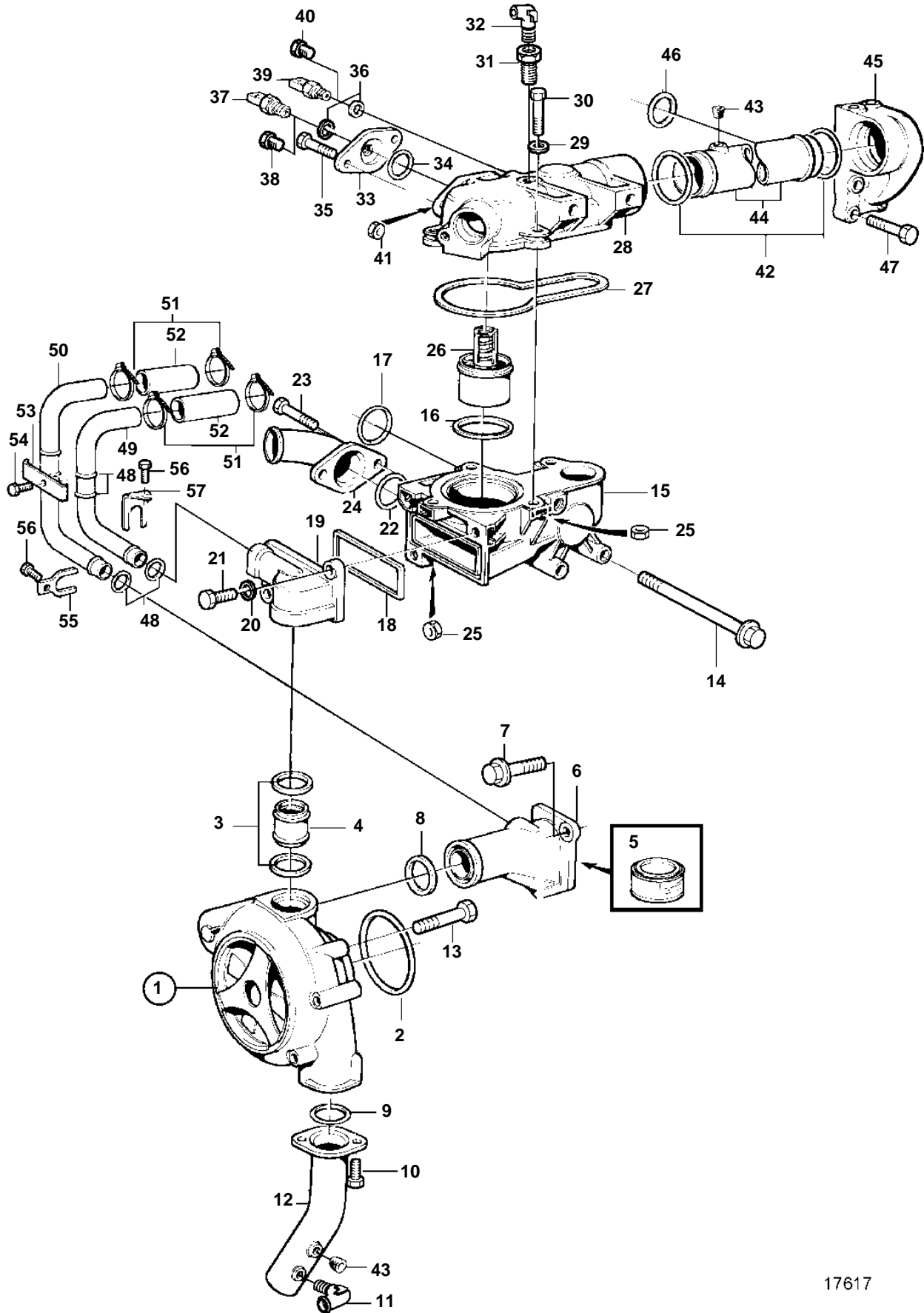


TID71A, TWD710V, TWD731VE



17617

TID71A, TWD710V, TWD731VE

REF	PART NO.	QTY	DESCRIPTION	NOTES
1	20575653	1	Circulation pump	
	3803839	1	Circ. pump, exch, exch	
			• Comps. not spec.	
2	967344	1	O-ring	
3	469982	2	Sealing ring	
4	471634	1	Tube	
5	1161231	X	Sealant	304ml
	1161277	X	Sealant	10g
6	848131	1	Intermediate section	
7	945444	2	Flange screw	
8	471629	1	Sealing ring	
9	925092	1	O-ring	
10	945444	2	Flange screw	
11	942649	1	Nipple	
12	848143	1	Coolant pipe	STD
	849645	1	Coolant pipe	Is used when crankshaft mounted fan is installed.
13	965190	4	Screw	
14	965189	3	Flange screw	
15	876628	1	Thermostat housing	Anodic treatment.
16	1544710	1	• Sealing ring	
17	477059	1	O-ring	
18	471816	1	Sealing ring	
19	471822	1	Housing	
20	941907	2	Spring washer	
21	945444	2	Flange screw	
22	925092	1	O-ring	
23	945444	2	Flange screw	
24	848381	1	Water pipe	
25	955782	7	Nut	
26	3839110	1	Thermostat	75°C BLUE
27	471788	1	Sealing ring	
28	477905	1	Cover	
29	941907	4	Spring washer	
30	946470	4	Flange screw	
31	862109	1	Nipple	
32	479953	1	Elbow nipple	
33	3830530	1	Flange	
34	469477	1	O-ring	
35	945444	2	Flange screw	
36	11998	2	Gasket	
37		1	Temperature sensor	SEE GROUP 30
38	960632	1	Plug	ALT
39		1	Temperature contact	SEE GROUP 30
40	960632	1	Plug	ALT
41	955782	2	Nut	
42	469982	2	Sealing ring	
43	479977	2	Plug	
44	848656	1	Tube	
45	465911	1	Tube	
46	477059	1	O-ring	
47	965186	1	Flange screw	L=50mm
	965220	2	Flange screw	L=45mm
48	471626	4	Sealing ring	
49	847852	1	Tube	Thermostat housing-charger air cooler.
	849084	1	Coolant pipe	Thermostat housing-charger air cooler., Is used when compressor is installed.
50	847853	1	Tube	Water pump-charge air cooler.
	849086	1	Coolant pipe	Water pump-charge air cooler., Is used when compressor is installed.
51	943473	4	Hose clamp	
52	952969	2	Rubber hose	L=75mm
53	849059	1	Clamp	
54	965194	1	Screw	
55	849110	1	Brace	
56	967949	2	Screw	(965175)

TID71A, TWD710V, TWD731VE

REF	PART NO.	QTY	DESCRIPTION	NOTES
57	849397	1	Bracket	