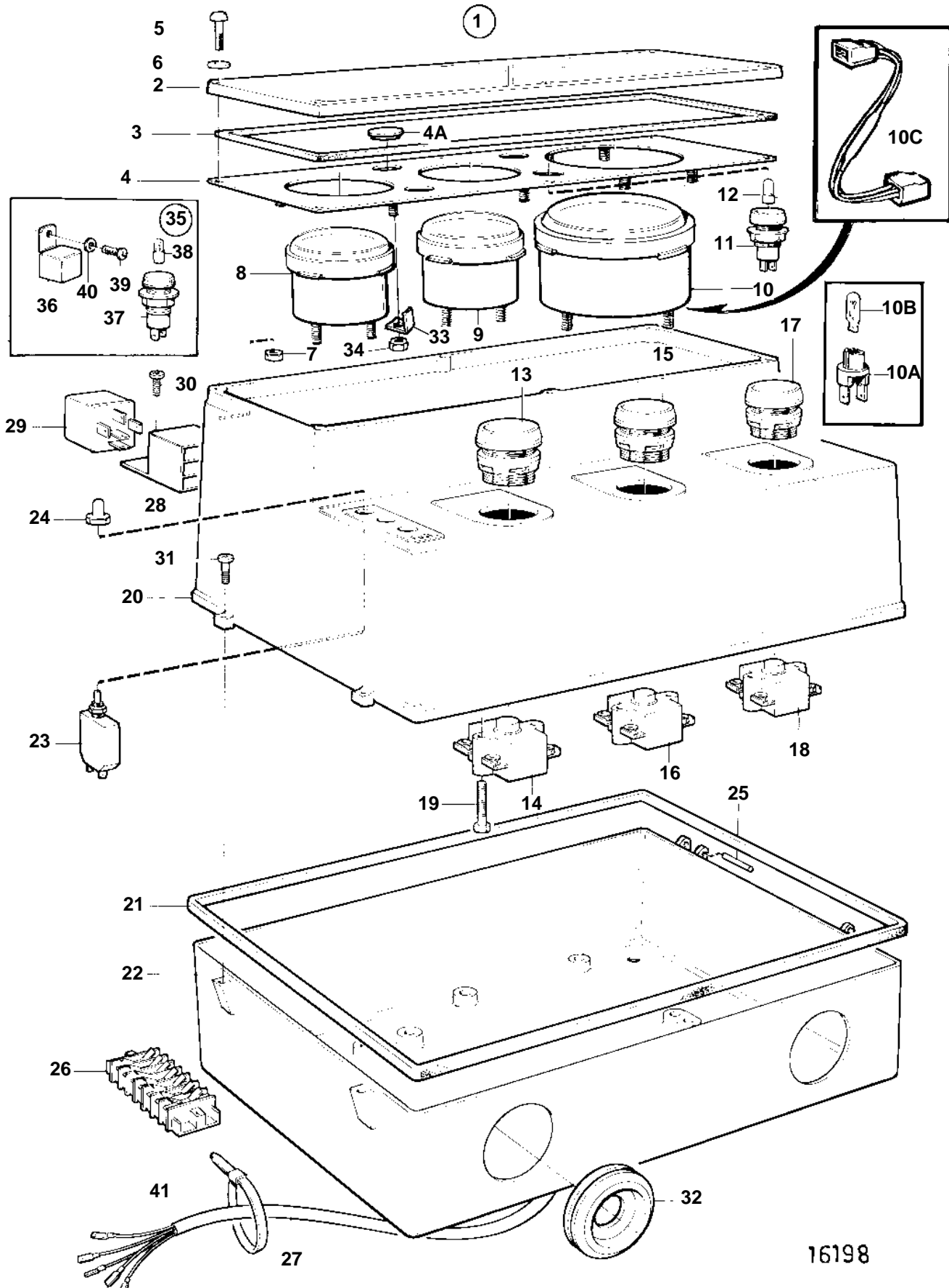


TD71A, TID71A, TWD710V, TD730VE, TWD731VE, TAD730V, TWD740VE



TD71A, TID71A, TWD710V, TD730VE, TWD731VE, TAD730V, TWD740VE

REF	PART NO.	QTY	DESCRIPTION	NOTES
1	873626	1	Instrument panel	
2	873654	1	• Cover glass	
3	849885	1	• Sealing strip	
4	873614	1	• Instrument plate	
4A		3	• Protecting plug	
5	849963	6	• Screw	
6	862501	6	• Gasket	
7	965483	6	• Nut	
8	873625	1	• Instrument, oil-pressure	24V
9	873624	1	• Instrument, temperature	24V
10	873998	1	• Rev counter kit, hour/tachometer	Used without diod cable 873695, 12V-24V
10A	863945	1	• • Bulb socket	FOR 873625,873624,873664
10B	943638	1	• • Bulb	FOR 873625,873624,873664
10C	873695	1	• Diode cable, tachometer	For tachometer without built-in diod.
11	849966	1	• Bulb socket	Warning lamp, charging.
12	182034	1	• Bulb	
13	3817576	1	• Push button	RED
14	3817574	1	• Switch	GREEN-RED
15	3817578	1	• Switch	BLACK
16	3817574	1	• Switch	GREEN-RED
17	3817577	1	• Push button	GREEN
18	3817575	1	• Switch	GREEN
19	956063	6	• Screw	
20	849838	1	• Cover	
21	849840	1	• Sealing strip	
22	849839	1	• Box	
23	968821	1	• Fuse	16A
	966689	1	• Fuse	8A
24	862006	2	• Protective cap	
25	951967	2	• Spring pin	
26	849992	1	• Terminal block	5-POLE
	849993	2	• Terminal block	7-POLE
27	873793	1	• Wiring harness	
28	977184	3	• • Tab housing	
29	20374662	2	• Relay	24V (9518230)
30	956074	3	• Screw	
31	862281	2	• Screw	
32	943920	1	• Protecting plug	
33		8	• Brace	
34	963103	8	• Lock nut	
35		1	Alarm separator	
36	863724	1	• Alarm separator	
37	863721	1	• Bulb socket	Warning lamp, low coolant level.
	863722	1	• Bulb socket	Warning lamp, low oil pressure.
	863723	1	• Bulb socket	Warning lamp, high coolant temperature.
38	182034	3	• Bulb	
39		1	• Cross recessed screw	
40	955892	1	• Washer	
41	948211	X	Strip clamp	