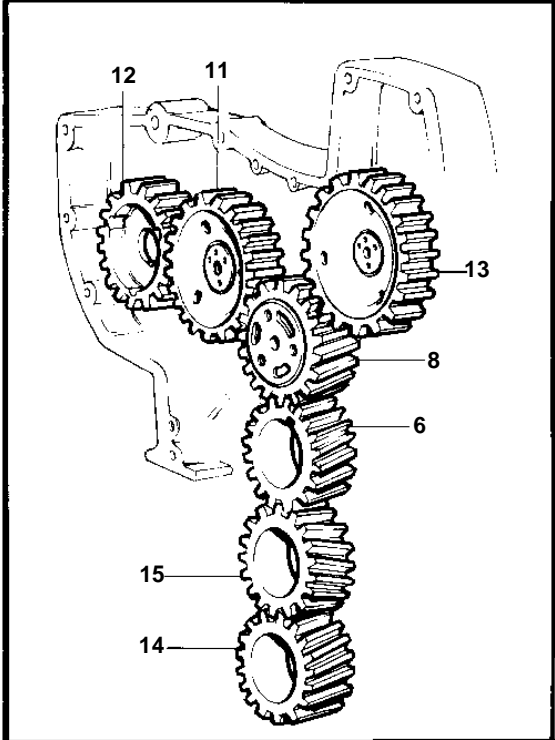
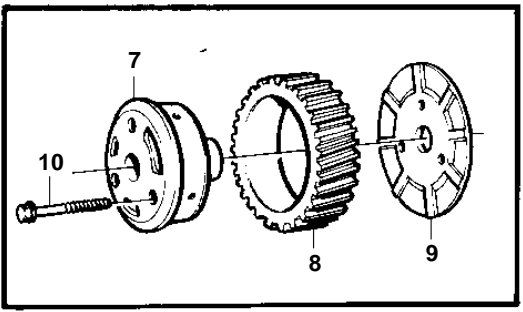
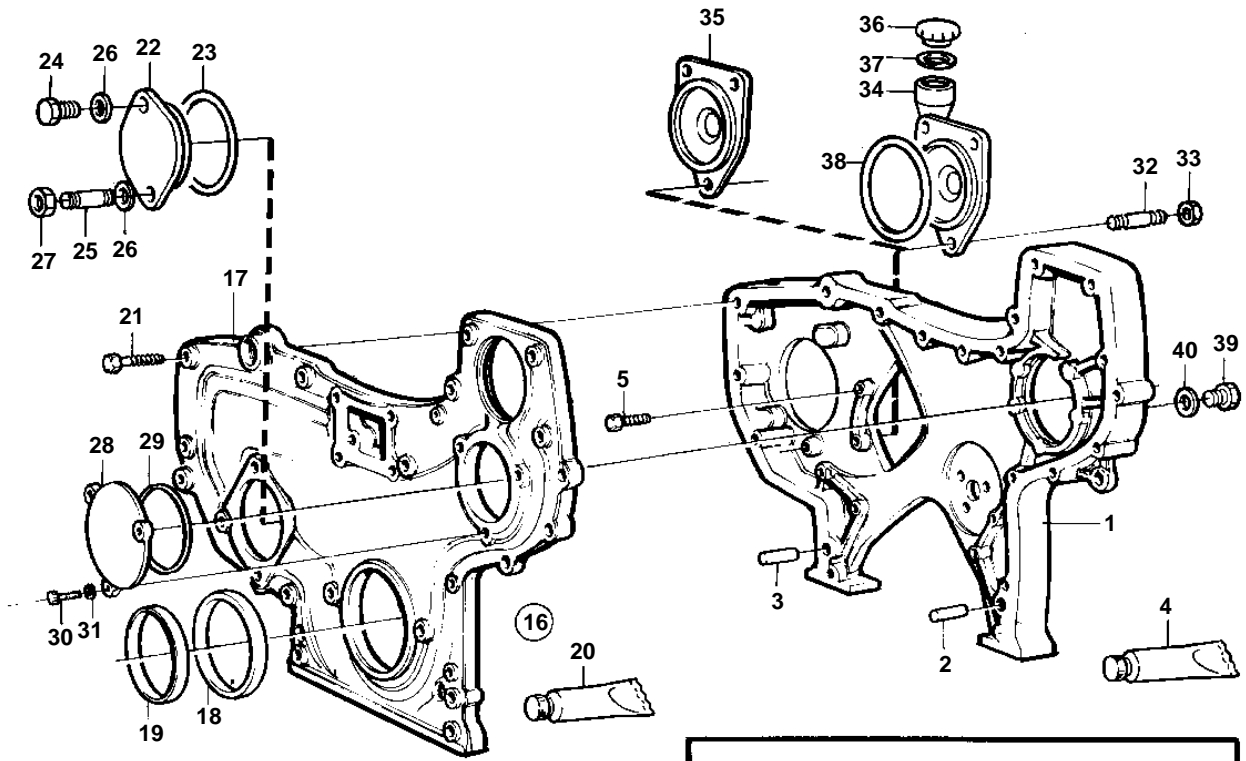


TD71, TID71



10835

**TD71,TID71**

| REF | PART NO. | QTY | DESCRIPTION                    | SEE SEC. | NOTES                                    |
|-----|----------|-----|--------------------------------|----------|--|
| 1   | 471505   | 1   | Timing gear casing             |          |  |
| 2   | 941511   | 1   | Pin                            |          |  |
| 3   | 941510   | 1   | Pin                            |          |  |
| 4   | 1161231  | 1   | Sealant                        |          |  |
| 5   | 471534   | 2   | Screw                          |          | L = 28 MM                                |
|     | 471535   | 2   | Screw                          |          | L = 58 MM                                |
| 6   | 471528   | 1   | Gear, GEAR CRANKSHAFT          |          |  |
|     |          |     | Bulletin 45-01                 | 45-01-EN | Timing Gears, 71, 100, 121               |
| 6   |          |     |                                |          |  |
| 7   | 422766   | 1   | Spindle                        |          |  |
| 8   | 8192518  | 1   | Gear                           |          | (471552)                                 |
| 9   | 467529   | 1   | Thrust washer                  |          |  |
| 10  | 471554   | 3   | Screw                          |          |  |
| 11  |          | 1   | GEAR CAMSHAFT                  | 02A-1220 |  |
| 12  | 423087   | 1   | Gear, GEAR AIR COMPRESSOR      |          | SN-XXXXXXXXXX/32960                      |
|     |          |     | Bulletin 45-01                 | 45-01-EN | Timing Gears, 71, 100, 121               |
| 12  | 478289   | 1   | Gear, GEAR AIR COMPRESSOR      |          | SNXXXXXXXXXX/32961-                      |
|     |          |     | Bulletin 45-01                 | 45-01-EN | Timing Gears, 71, 100, 121               |
| 12  |          |     |                                |          | NITRO                                    |
| 13  | 470764   | 1   | Gear, GEAR FUEL INJECTION PUMP |          |  |
|     |          |     | Bulletin 45-01                 | 45-01-EN | Timing Gears, 71, 100, 121               |
| 13  |          |     |                                |          |  |
| 14  | 471941   | 1   | Gear, GEAR OIL PUMP            |          |  |
| 15  | 471942   | 1   | Gear, GEAR OIL PUMP            |          |  |
| 16  | 8192590  | 1   | Cover                          |          | (8192052)(471562)                        |
| 17  |          | 1   | · COVER                        |          |  |
| 18  | 477118   | 1   | · Sealing ring                 |          |  |
| 19  |          | 1   | · FELT SEALING                 |          | REPL BY 477118                           |
| 20  | 1161231  | 1   | Sealant                        |          |  |
| 21  | 947760   | 6   | Flange screw                   |          | L = 40 MM                                |
|     | 965182   | 6   | Flange screw                   |          | L = 80 MM                                |
|     | 948217   | 2   | Flange screw                   |          | L = 45 MM                                |
|     | 965216   | 2   | Screw                          |          | L = 55 MM                                |
|     | 965183   | 1   | Flange screw                   |          | L = 90 MM                                |
| 22  | 465735   | 1   | Cover                          |          |  |
| 23  | 925094   | 1   | O-ring                         |          | (465058)                                 |
| 24  | 965222   | 1   | Screw                          |          | L = 65 MM                                |
| 25  | 924077   | 1   | Stud                           |          | L = 40 MM                                |
| 26  | 955895   | 2   | Washer                         |          |  |
| 27  | 971095   | 1   | Nut                            |          |  |
| 28  | 471559   | 1   | Cover                          |          |  |
| 29  | 925257   | 1   | O-ring                         |          |  |
| 30  | 945444   | 3   | Flange screw                   |          |  |
| 31  | 941907   | 3   | Spring washer                  |          |  |
| 32  | 967951   | 3   | Stud                           |          |  |
| 33  | 971097   | 3   | Nut                            |          |  |
| 34  | 849197   | 1   | Tube                           |          | ALT                                      |
| 35  | 420178   | 1   | Cover                          |          | ALT                                      |
| 36  | 421753   | 1   | Oil filler cap                 |          |  |
| 37  | 940096   | 1   | Gasket                         |          |  |
| 38  | 975610   | 1   | O-ring                         |          |  |
| 39  | 960632   | 1   | Plug                           |          | WHEN TACHOMETER SENDER IS NOT INSTALLED. |
| 40  | 947624   | 1   | Gasket                         |          |  |
|     |          | 1   | TACHOMETER SENDER              |          | SEE GROUP 3                              |