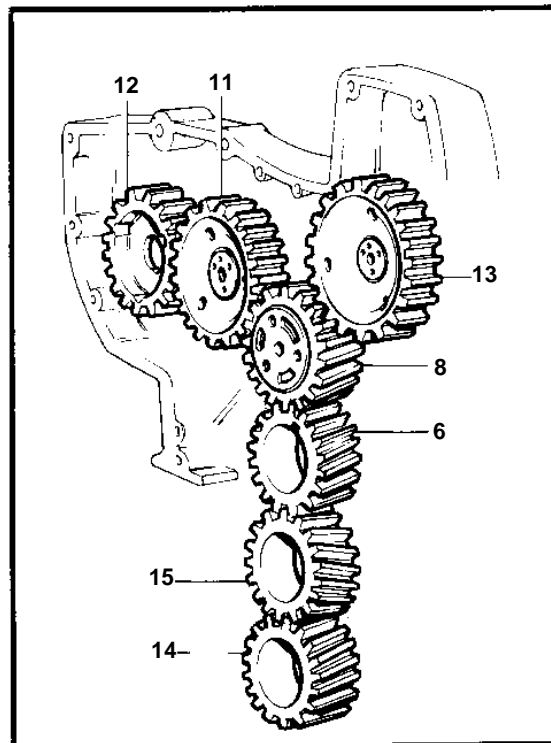
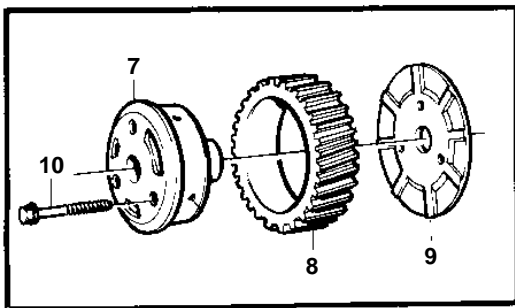
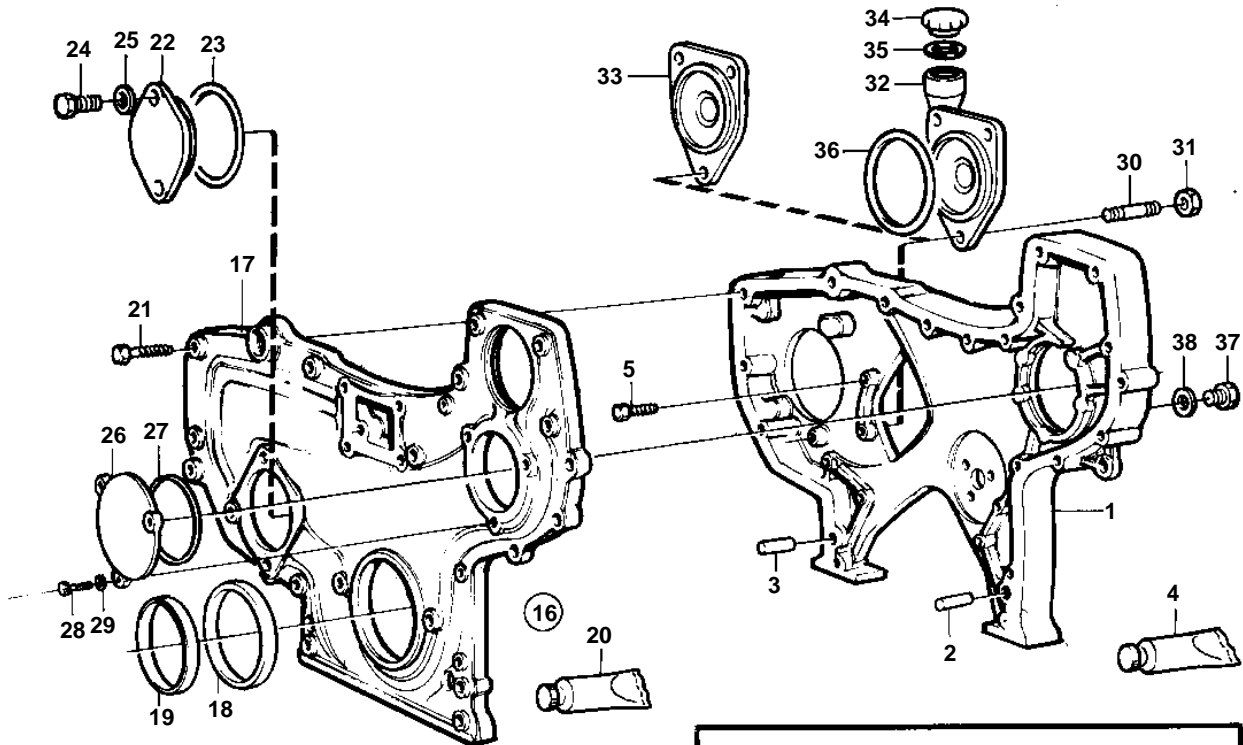


TD61,TID61



10834

TD61,TID61

REF	PART NO.	QTY	DESCRIPTION	SEE SEC.	NOTES
1	465797	1	Timing gear casing		
2	941511	1	Pin		
3	941510	1	Pin		
4	1161231	1	Sealant		
5	471534	2	Screw		L = 28 MM
	471535	2	Screw		L = 58 MM
6	471528	1	Gear, GEAR CRANKSHAFT		
			Bulletin 45-01	45-01-EN	Timing Gears, 71, 100, 121
6					
7	422766	1	Spindle		
8	8192518	1	Gear		(471552)
9	467529	1	Thrust washer		
10	471554	3	Screw		
11		1	GEAR CAMSHAFT	02A-1145	
12	423087	1	Gear, GEAR AIR COMPRESSOR		SN-XXXXXXXXXX/48350
			Bulletin 45-01	45-01-EN	Timing Gears, 71, 100, 121
12	478289	1	Gear, GEAR AIR COMPRESSOR		SN XXXXXXXXXXXX/48351-
			Bulletin 45-01	45-01-EN	Timing Gears, 71, 100, 121
12					NITRO
13	465870	1	Gear, GEAR FUEL INJECTION PUMP		
			Bulletin 45-01	45-01-EN	Timing Gears, 71, 100, 121
13					
14	471941	1	Gear, GEAR OIL PUMP		*
					*
15	471942	1	Gear, GEAR OIL PUMP		
16	8192590	1	Cover		(8192052)(471562)
17		1	· COVER		
18	477118	1	· Sealing ring		
19		1	· FELT SEALING		REPL BY 477118
20	1161231	1	Sealant		
21	965183	1	Flange screw		L = 90 MM
	965182	6	Flange screw		L = 80 MM
	948217	2	Flange screw		L = 45 MM
	965216	1	Screw		L = 55 MM
	947760	7	Flange screw		L = 40 MM
22	465735	1	Cover		
23	925094	1	O-ring		(465058)
24	946472	1	Screw		L = 30 MM
	965187	1	Screw		L = 60 MM
25	955895	2	Washer		
26	471559	1	Cover		
27	925257	1	O-ring		
28	945444	3	Flange screw		
29	941907	3	Spring washer		
30	967951	3	Stud		
31	971097	3	Nut		
32	849197	1	Tube		ALT
33	420178	1	Cover		ALT
34	421753	1	Oil filler cap		
35	940096	1	Gasket		
36	975610	1	O-ring		
37	960632	1	Plug		WHEN TACHOMETER SENDER IS NOT INSTALLED.
38	947624	1	Gasket		
		1	TACHOMETER SENDER		SEE GROUP 3