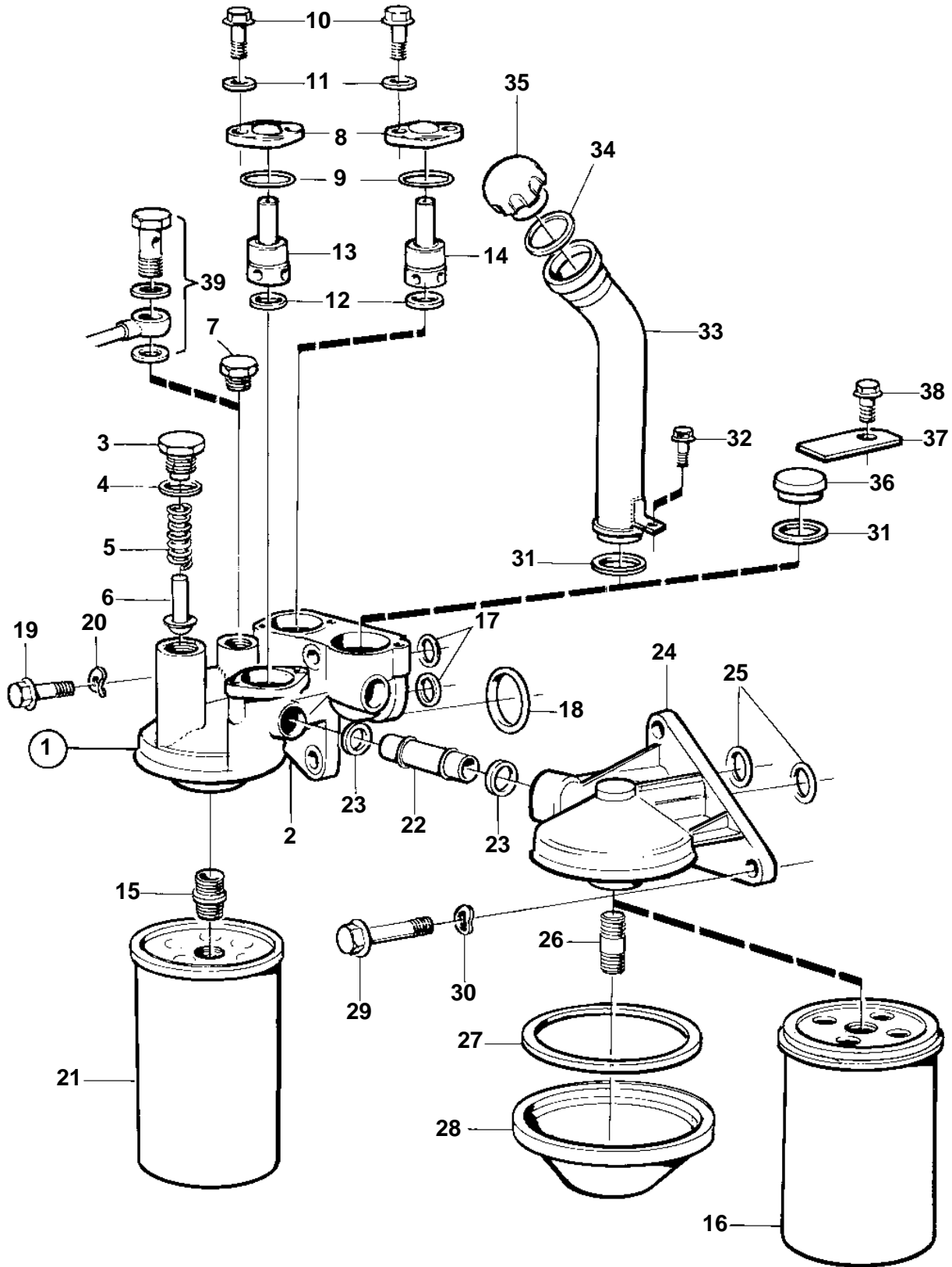


TD61A,TD61AW



TD61A,TD61AW

REF	PART NO.	QTY	DESCRIPTION	NOTES
1	465829	1	Housing	ERS AV 420928
	420928	1	Housing	
2		1	· HOUSING	
3	471598	1	· Plug	
4	947627	1	· Gasket	
5	466653	1	· Spring	
6	471085	1	· Valve	
7	479979	1	· Plug	(191026)
8	471648	2	· Cover	
9	949659	2	· O-ring	
10	946544	4	· Flange screw	
11	955892	4	· Washer	
12	469846	2	· Sealing ring	
13	471640	1	· Reducing valve	RÖD/RED
14	471812	1	· Reducing valve	SVART/BLACK (471706)
15	466623	1	· Nipple	
16	477556	1	Oil filter	ALT, BY-PASS (471392)
17	949656	2	O-ring	
18	949722	1	O-ring	
19	946329	2	Flange screw	L = 25 MM
	965222	1	Screw	L = 65 MM
20	941908	3	Spring washer	
21	466634	1	Oil filter	
22	465857	1	Tube	
23	471956	2	Sealing ring	
24	471601	1	Housing	
25	949656	2	O-ring	
26	469904	1	Nipple	
27	948981	1	O-ring	
28	848431	1	Cover	
29	946329	3	Flange screw	
30	941908	3	Spring washer	
31	421629	1	Sealing ring	
32	946440	1	Flange screw	
33	848583	1	Tube	
34	940096	1	Gasket	
35	421753	1	Oil filler cap	(420292)
36	848319	1	Plug	ALT.
37	848318	1	Anchorage	ALT.
38	946440	1	Flange screw	ALT.
39			OIL FEED PIPE, TURBO	SEE GROUP 2B