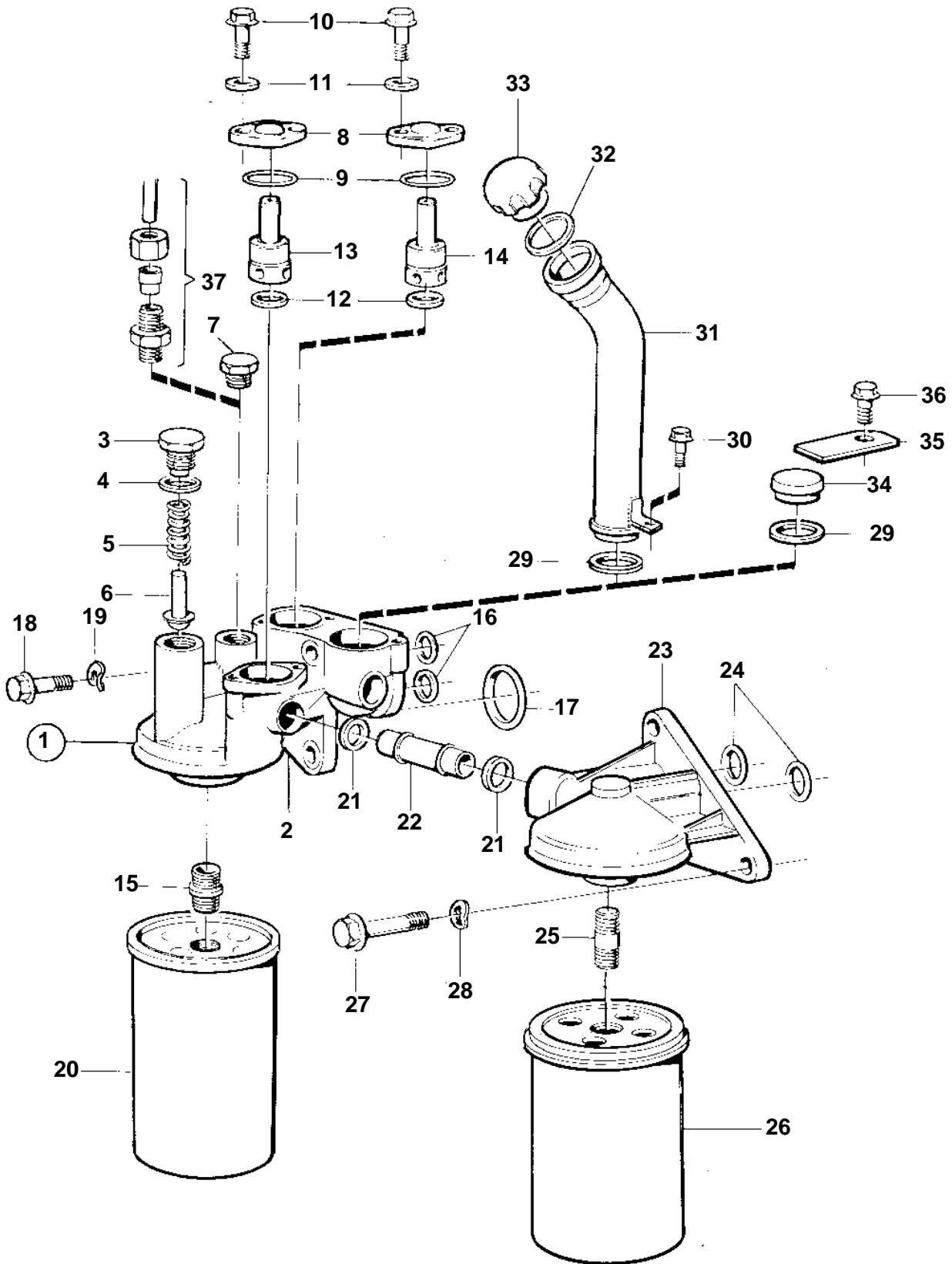


TD71A,TD71AW,TID71A



16522

TD71A,TD71AW,TID71A

REF	PART NO.	QTY	DESCRIPTION	NOTES
1	471600	1	Oil filter housing	
2		1	· HOUSING	
3	471598	1	· Plug	
4	947627	1	· Gasket	
5	466653	1	· Spring	
6	471085	1	· Valve	
7	479979	1	· Plug	(191026)
8	471648	2	· Cover	
9	949659	2	· O-ring	
10	946544	4	· Flange screw	(955272)
11	955892	4	· Washer	EARLY TYPE
12	469846	2	· Sealing ring	
13	471646	1	· Reducing valve, RELIEF VALVE PISTON COOLING	VIT/WHITE
14	471812	1	· Reducing valve	SVART/BLACK (471706)
15	466623	1	Nipple	
16	949656	2	O-ring	
17	949722	1	O-ring	
18	946329	2	Flange screw	L = 25 MM
	965222	1	Screw	L = 65 MM
19	941908	3	Spring washer	
20	466634	1	Oil filter	
21	471956	1	Sealing ring	
22	471602	2	Tube	
23	471601	1	Housing	
24	949656	2	O-ring	
25	469904	1	Nipple	
26	477556	1	Oil filter	BY-PASS (471392)
27	946329	3	Flange screw	
28	941908	3	Spring washer	
29	421629	1	Sealing ring	
30	946173	1	Flange screw	
31	848583	1	Tube	
32	940096	1	Gasket	
33	421753	1	Oil filler cap	
34	848319	1	Plug	ALT.
35	848318	1	Anchorage	ALT.
36	946440	1	Flange screw	ALT.
37		1	OIL FEED PIPE	SEE GROUP 2B