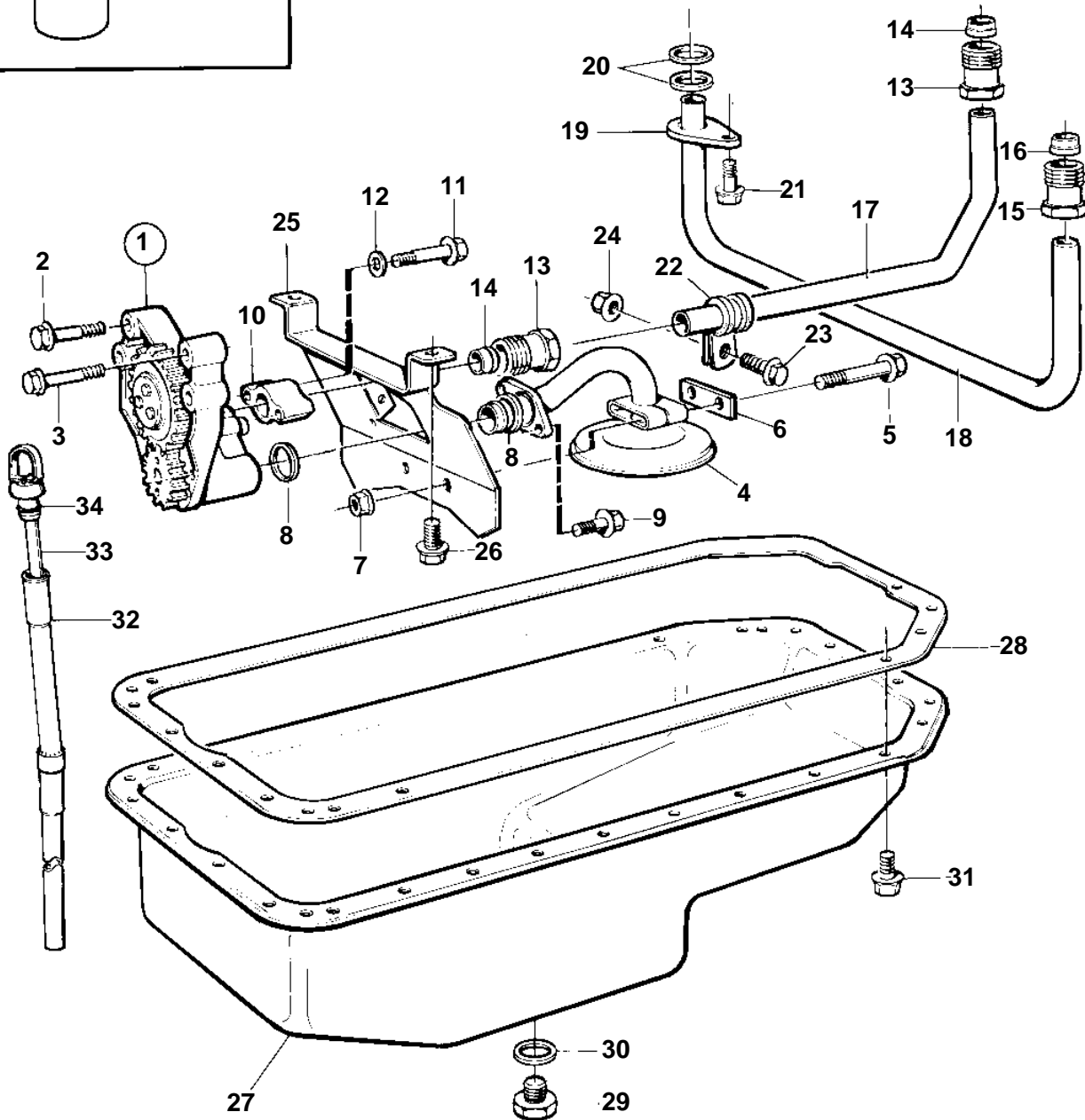
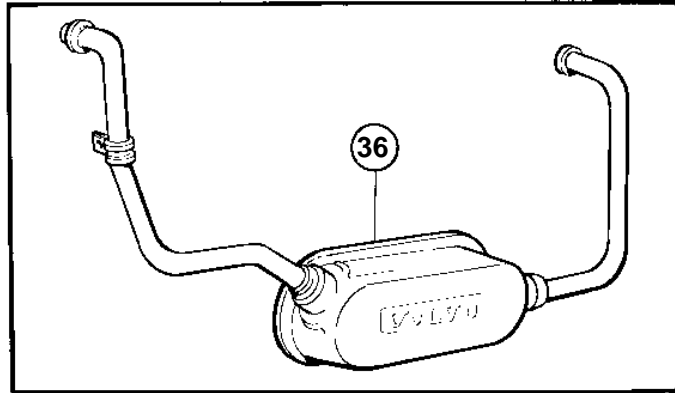
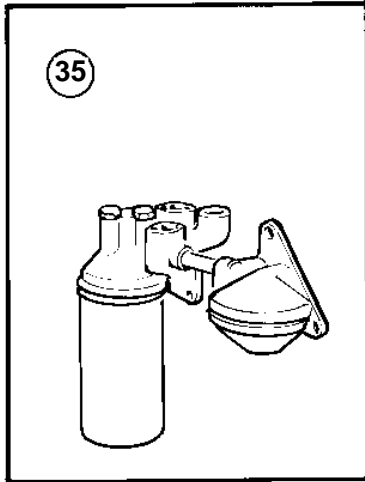


TD71ACE



11844

TD71ACE

REF	PART NO.	QTY	DESCRIPTION	SEE SEC.	NOTES
1	471733	1	Oil pump		REPL BY 477547
				02A-2260	
	477547	1	Oil pump		
				02A-2260	
2	471513	4	Screw		M10X70 MM
3	471734	2	Screw		M8X70 MM
4	848586	1	Suction pipe		
5	965218	2	Screw		
6	421750	1	Washer		
7	945408	2	Flange nut		
8	470383	2	Sealing ring		
9	965183	2	Flange screw		
10	465846	1	Intermediate section		
11	968553	2	Screw		
12	941907	2	Spring washer		
13	471588	2	Pressure pipe connec		
14	956972	2	Ferrule		
15	471588	1	Pressure pipe connec		
16	956972	1	Ferrule		
17	477947	1	Pipe		(471587)
18	420996	1	Oil feed pipe, OIL PRESSURE PIPE Clamp		(471594)
19	471746	1	Clamp		
20	471956	2	· Sealing ring		
21	946440	1	Flange screw		
22	1545433	1	Clamp		
23	946440	1	Flange screw		
24	945408	1	Flange nut		
25	848588	1	Baffle plate		
26	946440	2	Flange screw		
27	4772170	1	Oil pan		REPLACED BY 1EA OIL SUMP 11030522, 1EA PLUG 949175 AND 1EA GASKET 18813.
	11030522	1	Oil pan		
28	865342	1	Gasket		(864485)
29	949175	1	Magnetic plug		
30	18813	1	Gasket		
31	946440	36	Flange screw		
32	848501	1	Tube		EARLY TYPE. FOR OIL DIPSTICK, LEFT SIDE MOUNTING.. REPLACED BY 1EA 862055, 1EA 862197, 1EA 955984.
	862055	1	Tube		LATE TYPE. FOR OIL DIPSTICK, LEFT SIDE MOUNTING.. SN 1101004200/XXXXX-
33	846872	1	Oil dipstick		EARLY TYPE. FOR OIL DIPSTICK, LEFT SIDE MOUNTING.
	862197	1	Oil dipstick		LATE TYPE. FOR OIL DIPSTICK, LEFT SIDE MOUNTING.. SN 1101004200/XXXXX-
34	925054	1	· O-ring		
	955982	1	O-ring		EARLY TYPE. FOR OIL DIPSTICK, LEFT SIDE MOUNTING.
	955984	1	Sealing ring		LATE TYPE. FOR OIL DIPSTICK, LEFT SIDE MOUNTING.. SN 1101004200/XXXXX-
35		1	OIL FILTER WITH INSTALLATION COMP.	02A-2080	
36		1	OIL COOLER WITH INSTALLATION COMP.	02A-2140	