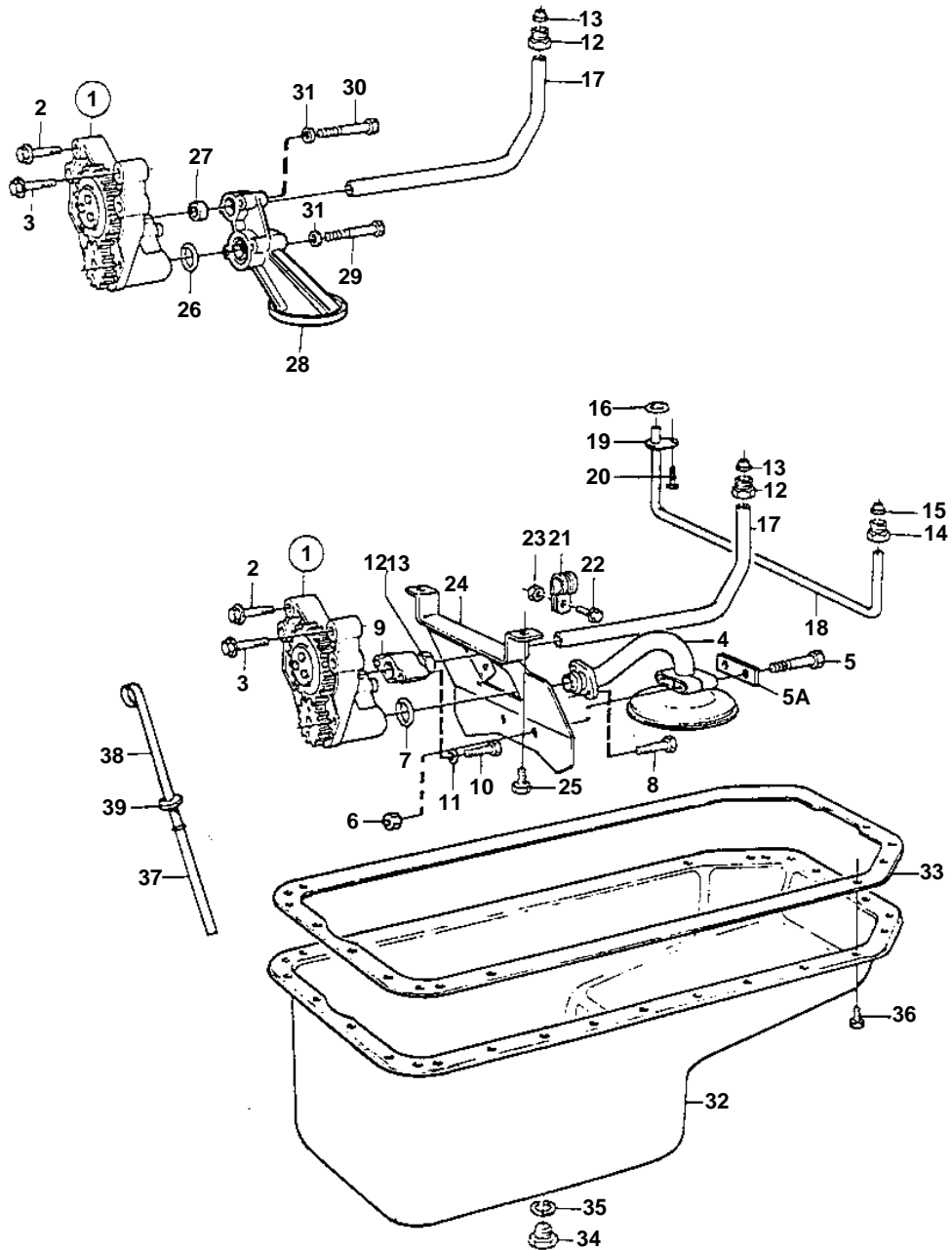
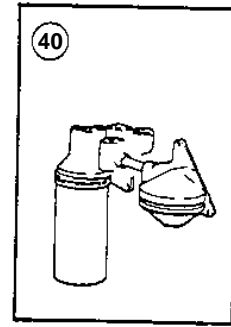
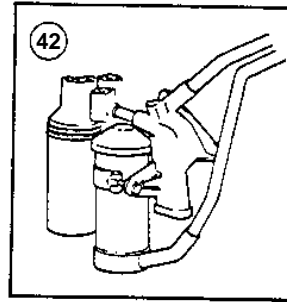
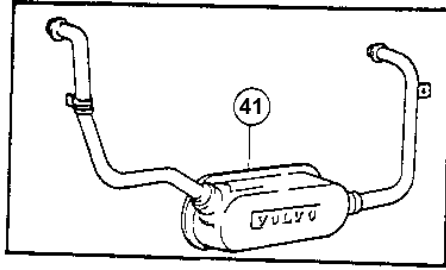


TD61AP, TD61APB



11527

## TD61AP, TD61APB

REF	PART NO.	QTY	DESCRIPTION	SEE SEC.	NOTES
1	471570	1	Oil pump		REPL BY 420867
				02A-2250	
	420867	1	Oil pump		
				02A-2250	
2	471513	4	Screw		M10X70 MM
3	471734	2	Screw		M8X70 MM
4	465848	1	Oil pump screen		REPLACED BY 1EA 420725, 1EA 471956, 1EA 949659, 2EA 955307, 2EA 955309, 4EA 955894, 1EA 465845, 1EA 471588, 1EA 956972.
5	965218	2	Screw		
5A	421750	1	Washer		
6	945408	2	Flange nut		
7	470383	2	Sealing ring		
8	965182	2	Flange screw		
9	465846	1	Intermediate section		
10	955308	2	Screw		
11	955894	2	Washer		
12	471588	2	Pressure pipe connec		
13	956972	2	Ferrule		
14	471588	1	Pressure pipe connec		SN -XXXXXXXXXX/23336
15	956972	1	Ferrule		SN -XXXXXXXXXX/23336
16	471956	2	Sealing ring		SN -XXXXXXXXXX/23336
17	465845	1	Oil feed pipe		
18	471594	1	Oil feed pipe		SN -XXXXXXXXXX/23336
19	471746	1	Clamp		SN -XXXXXXXXXX/23336
20	946440	1	Flange screw		SN -XXXXXXXXXX/23336
21	1545433	1	Clamp		
22	946440	1	Flange screw		
23	945408	1	Flange nut		
24	471593	1	Baffle plate		
25	946440	2	Flange screw		
26	949659	1	O-ring		
27	471956	1	Sealing ring		
28	420725	1	Oil pump screen		SN XXXXXXXXXXXX/60987-
29	955309	2	Screw		EARLY TYPE
	969225	2	Flange screw		LATE TYPE
30	955307	2	Screw		EARLY TYPE
	965184	2	Screw		LATE TYPE
31	955894	4	Washer		EARLY TYPE
32	465622	1	Oil pan		
33	865341	1	Gasket		(864484)
34	949175	1	Magnetic plug		
35	18813	1	Gasket		
36	946440	34	Flange screw		
37	848700	1	Tube		
	848501	1	Tube		EARLY TYPE. FOR OIL DIPSTICK, LEFT SIDE MOUNTING.. REPLACED BY 1EA 862055, 1EA 862197, 1EA 955984.
	862055	1	Tube		LATE TYPE. FOR OIL DIPSTICK, LEFT SIDE MOUNTING.. SN 1101004200/XXXXX-
38	848696	1	Oil dipstick		REPL BY 863797. FOR MEASURING OF OIL LEVEL WHEN NOT RUNNING.
	863797		Oil dipstick, OIL DIPSTICK		FOR MEASURING OF OIL LEVEL WHEN RUNNING.
					SN XXXXXXXXXXXX/39179-
	846872	1	Oil dipstick		EARLY TYPE. FOR OIL DIPSTICK, LEFT SIDE MOUNTING.
	862197	1	Oil dipstick		LATE TYPE. FOR OIL DIPSTICK, LEFT SIDE MOUNTING.. SN 1101004200/XXXXX-
39	925054	1	O-ring		
	955982	1	O-ring		EARLY TYPE. FOR OIL DIPSTICK, LEFT SIDE MOUNTING.

TD61AP, TD61APB

REF	PART NO.	QTY	DESCRIPTION	SEE SEC.	NOTES
39	955984	1	Sealing ring		LATE TYPE. FOR OIL DIPSTICK, LEFT SIDE MOUNTING.. SN 1101004200/XXXXX-
40		1	OIL CLEANER HOUSING		SN -XXXXXXXXXX/23336
				02A-2015	
41		1	OIL COOLER		SN -XXXXXXXXXX/23336
				02A-2120	
42		1	PIPE OIL COOLER AND OIL CLEANER HOUSING		SN XXXXXXXXXXX/23337-
				02A-2030	