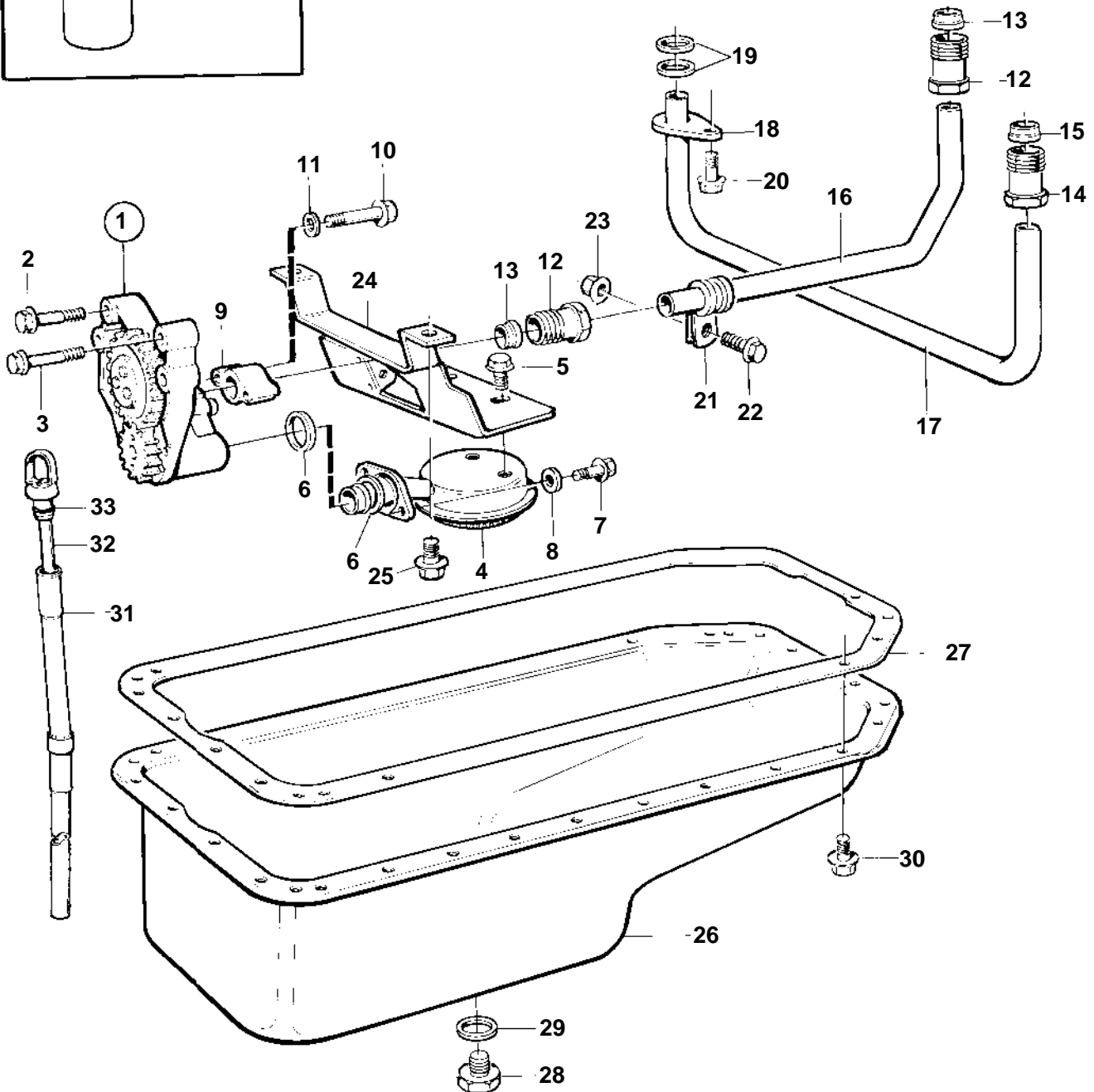
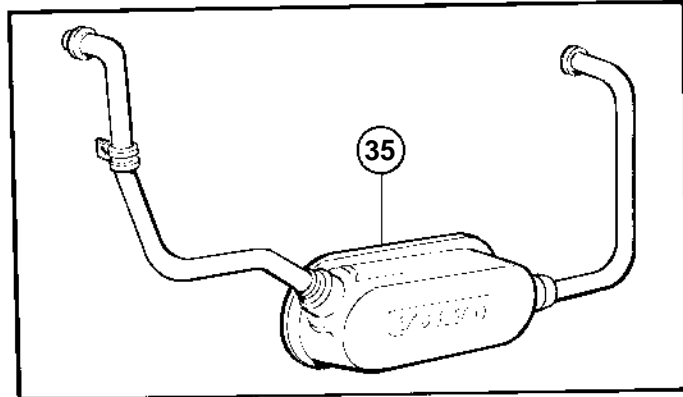
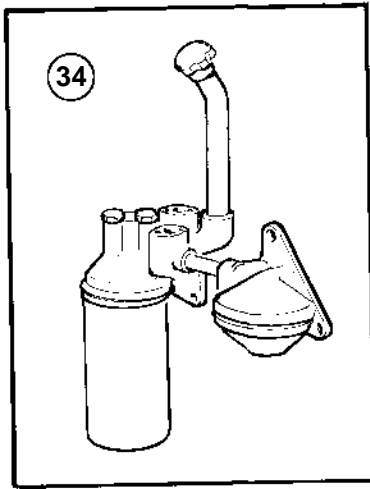


TD61A, TD61AW



15697

TD61A,TD61AW

REF	PART NO.	QTY	DESCRIPTION	SEE SEC.	NOTES
1	471570	1	Oil pump		REPL BY 420867
				02A-2250	
	420867	1	Oil pump		
				02A-2250	
2	471513	4	Screw		M10X70 MM
3	471734	2	Screw		M8X70 MM
4	848941	1	Oil pump screen		
5	946440	2	Flange screw		
6	470383	2	Sealing ring		
7	965182	2	Flange screw		
8	191172	2	Washer		
9	465846	1	Intermediate section		
10	973080	2	Screw		
11	191172	2	Washer		
12	471588	2	Pressure pipe connec		
13	956972	2	Ferrule		
14	471588	1	Pressure pipe connec		
15	956972	1	Ferrule		
16	420993	1	Oil feed pipe		(465845)
17	420996	1	Oil feed pipe		(471594)
18	471746	1	· Clamp		
19	471956	2	· Sealing ring		
20	946440	1	Flange screw		
21	1545433	1	Clamp		
22	946440	1	Flange screw		
23	945408	1	Flange nut		
24	848076	1	Baffle plate		
25	946440	2	Flange screw		
26	847688	1	Oil pan		
27	865341	1	Gasket		(864484)
28	949175	1	Magnetic plug		(960635)
29	18813	1	Gasket		
30	946440	34	Flange screw		
31	836179	1	Tube		
32	846872	1	Oil dipstick		
33	955982	1	O-ring		
34		1	OIL FILTER HOUSING	02A-2005	
35		1	OIL COOLER	02A-2120	