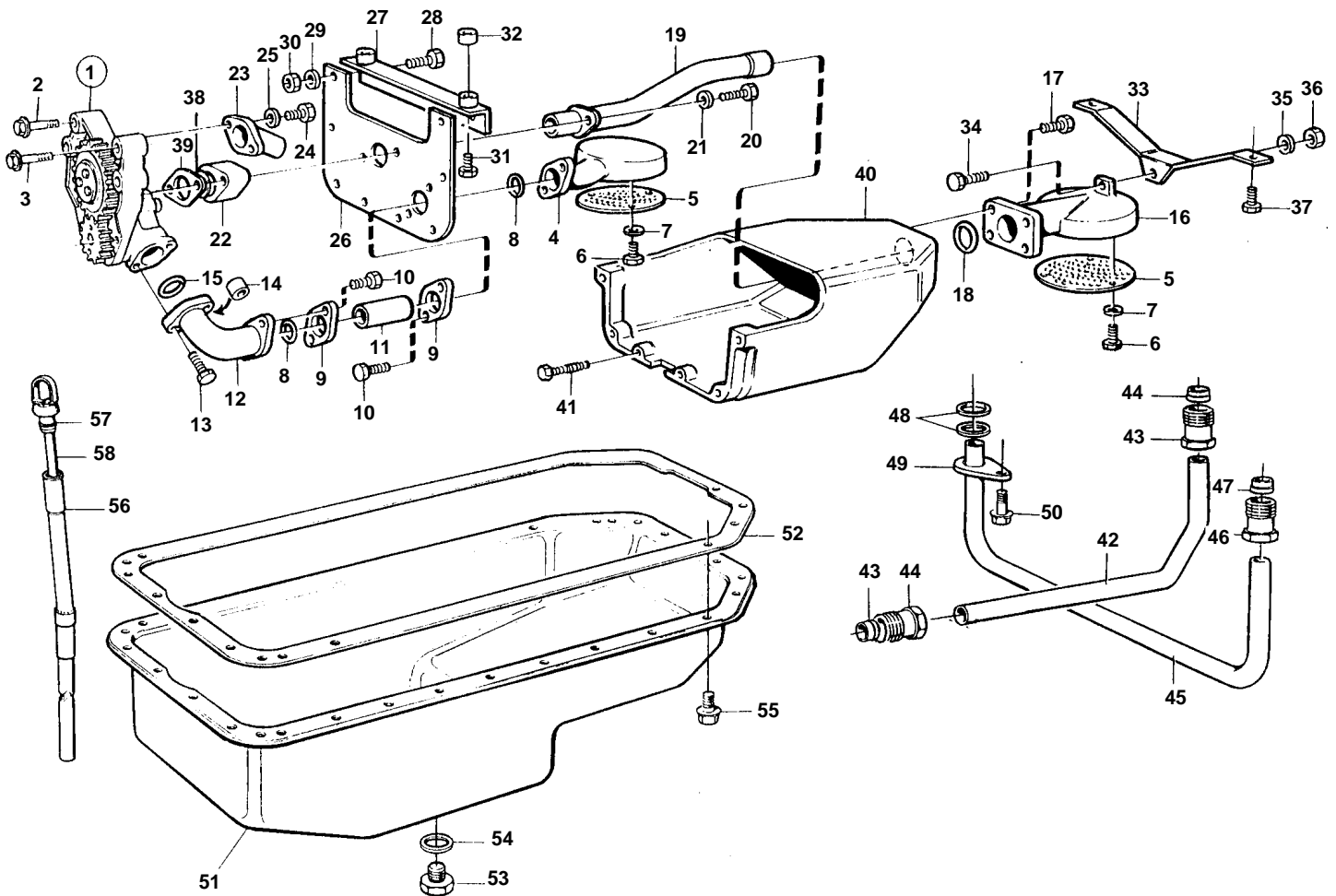
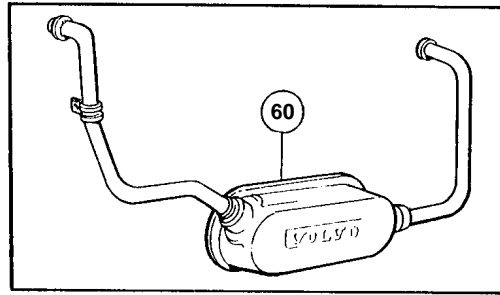
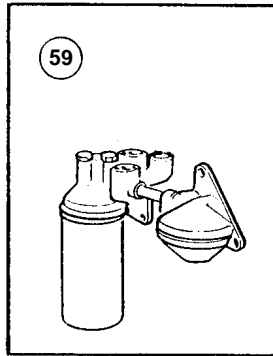


TD71ACE



11872

## TD71ACE

REF	PART NO.	QTY	DESCRIPTION	SEE SEC.	NOTES
1	4772128	1	Oil pump		REPL BY 11030633. SN 3794/XXXXXX-
				02A-2270	
	11030633	1	Oil pump		SN XXXXXXXXXXXX/46026-
				02A-2270	
2	471513	4	Screw		M10X70 MM
3	471734	2	Screw		M8X70 MM
4	4772173	1	Strainer housing		
5	4778048	2	Strainer		
6	955268	6	Screw		
7	955948	6	Lock washer		
8	944126	2	O-ring		
9	4778330	2	Flange		
10	946173	4	Flange screw		
11	4772177	1	Tube		
12	4772174	1	Connector		
13	965216	2	Screw		
14	4778328	1	Sleeve		
15	944126	1	O-ring		
16	4778037	1	Strainer housing		
17	946671	4	Flange screw		
18	944126	1	O-ring		
19	11030590	1	Suction pipe		(4772179)
20	968303	2	Screw		
21	941907	2	Spring washer		
22	4772185	1	Spacer		
23	4778425	1	Tube		
24	955312	2	Screw		
25	941907	2	Spring washer		
26	4772181	1	Baffle plate		
27	11030588	1	Bracket		
28	946173	2	Flange screw		
29	955894	2	Washer		
30	946036	2	Lock nut		
31	947760	2	Flange screw		
32		2	SPACER		REPL BY 11030588
33	4772182	1	Bracket		
34	946671	1	Flange screw		
35	955894	1	Washer		
36	946036	1	Lock nut		
37	946440	2	Flange screw		
38	4778331	1	Spacer		
39	470383	1	Sealing ring		
40	4772172	1	Oil reservoir		
41	946440	6	Flange screw		
42	4772186	1	Oil feed pipe		
43	471595	2	Pressure pipe connec		
44	956972	2	Ferrule		
45	4772187	1	Oil feed pipe, OIL PRESSURE PIPE PISTON COOLING		
46	471588	1	Pressure pipe connec		
47	956972	1	Ferrule		
48	471956	2	Sealing ring		
49	471746	1	Clamp		
50	946440	1	Flange screw		
51	847689	1	Oil pan		
52	865342	1	Gasket		
53	949175	1	Magnetic plug		
54	18813	1	Gasket		
55	946440	36	Flange screw		
56	848501	1	Tube		EARLY TYPE. FOR OIL DIPSTICK, LEFT SIDE MOUNTING.. REPLACED BY 1EA 862055,1EA 862197,1EA 955984.

TD71ACE

REF	PART NO.	QTY	DESCRIPTION	SEE SEC.	NOTES
56	862055	1	Tube		LATE TYPE. FOR OIL DIPSTICK, LEFT SIDE MOUNTING.. SN 1101004200/XXXXX-
57	846872	1	Oil dipstick		EARLY TYPE. FOR OIL DIPSTICK, LEFT SIDE MOUNTING.
	862197	1	Oil dipstick		LATE TYPE. FOR OIL DIPSTICK, LEFT SIDE MOUNTING.. SN 1101004200/XXXXX-
58	925054	1	• O-ring		
	955982	1	O-ring		EARLY TYPE. FOR OIL DIPSTICK, LEFT SIDE MOUNTING.
	955984	1	Sealing ring		LATE TYPE. FOR OIL DIPSTICK, LEFT SIDE MOUNTING.. SN 1101004200/XXXXX-
59		1	OIL FILTER WITH INSTALLATION COMP.	02A-2080	
60		1	OIL COOLER WITH INSTALLATION COMP.	02A-2140	