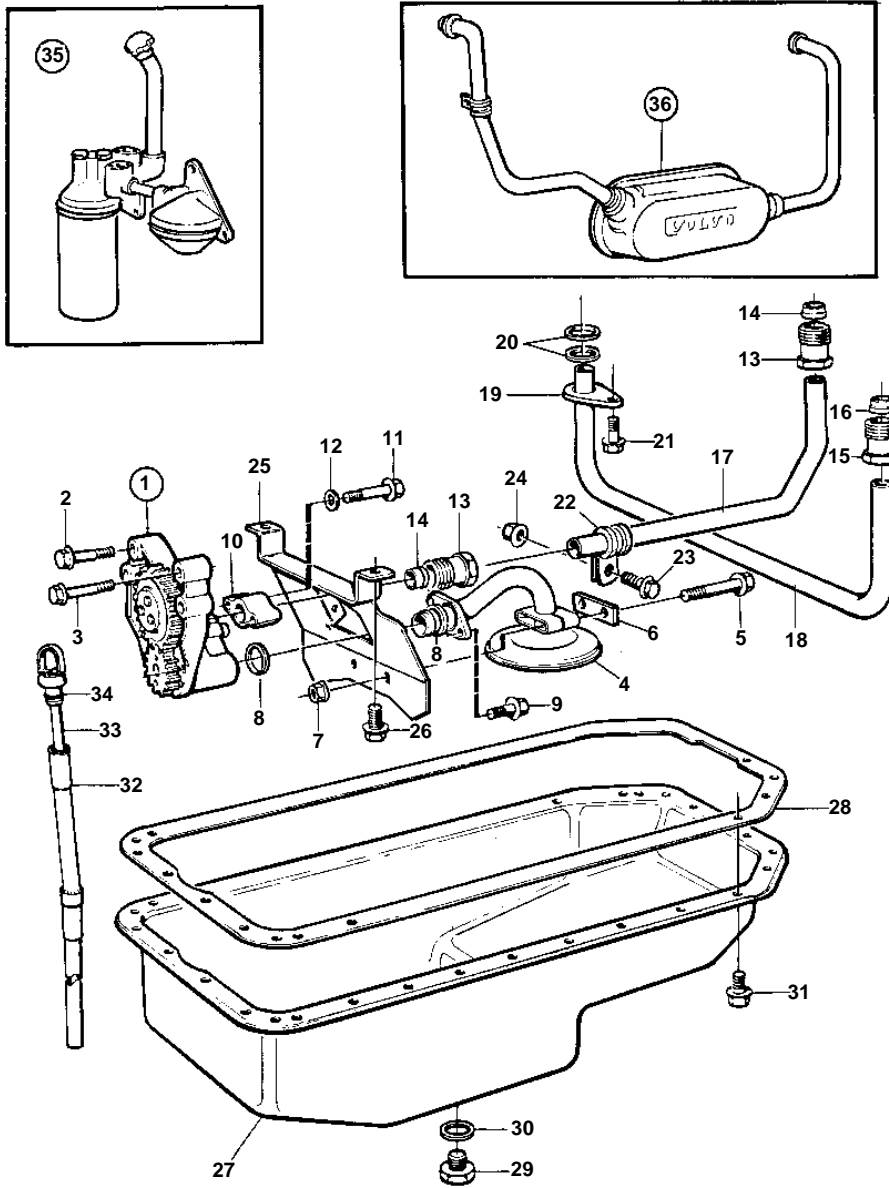


TD71A,TD71AW,TID71A



15696

TD71A,TD71AW,TID71A

REF	PART NO.	QTY	DESCRIPTION	SEE SEC.	NOTES
1	471733	1	Oil pump		REPL BY 477547
				02A-2260	
	477547	1	Oil pump		
				02A-2260	
2	471513	4	Screw		M10X70 MM
3	471734	2	Screw		M8X70 MM
4	848586	1	Suction pipe		
5	965218	2	Screw		
6	421750	1	Washer		
7	945408	2	Flange nut		
8	470383	2	Sealing ring		
9	965183	2	Flange screw		
10	465846	1	Intermediate section		
11	968553	2	Screw		
12	941907	2	Spring washer		
13	471588	2	Pressure pipe connec		
14	956972	2	Ferrule		
15	471588	1	Pressure pipe connec		
16	956972	1	Ferrule		
17	477947	1	Pipe		(471587)
18	420996	1	Oil feed pipe		(471594)
19	471746	1	· Clamp		
20	471956	2	· Sealing ring		
21	946440	1	Flange screw		
22	1545433	1	Clamp		
23	946440	1	Flange screw		
24	945408	1	Flange nut		
25	848588	1	Baffle plate		
26	946440	2	Flange screw		
27	4772170	1	Oil pan		(7/8"). REPLACED BY 1EA OIL SUMP 11030522,1EA PLUG 949175 AND 1EA GASKET 18813.. SN-8002/XXXXXX.
	11030522	1	Oil pan		(M24). SN 8003/XXXXXX-
28	865342	1	Gasket		(864485)
29	192538	1	Magnetic plug		7/8. SN-8002/XXXXXX.
	949175	1	Magnetic plug		M24. SN 8003/XXXXXX-
30	18677	1	Gasket		(7/8"). SN-8002/XXXXXX.
	18813	1	Gasket		(M24). SN 8003/XXXXXX-
31	946440	36	Flange screw		
32	848700	1	Tube		
	848501	1	Tube		EARLY TYPE. FOR OIL DIPSTICK, LEFT SIDE MOUNTING.. REPLACED BY 1EA 862055,1EA 862197,1EA 955984.
	862055	1	Tube		LATE TYPE. FOR OIL DIPSTICK, LEFT SIDE MOUNTING.. SN 1101004200/XXXXX-
33	848696	1	Oil dipstick		REPL BY 863797. FOR MEASURING OF OIL LEVEL WHEN NOT RUNNING.
	863797	1	Oil dipstick, OIL DIPSTICK		FOR MEASURING OF OIL LEVEL WHEN RUNNING. SN 25726/XXXXXXXXXX-
	846872	1	Oil dipstick		EARLY TYPE. FOR OIL DIPSTICK, LEFT SIDE MOUNTING.
	862197	1	Oil dipstick		LATE TYPE. FOR OIL DIPSTICK, LEFT SIDE MOUNTING.. SN 1101004200/XXXXX-
34	925054	1	· O-ring		
	955982	1	O-ring		EARLY TYPE. FOR OIL DIPSTICK, LEFT SIDE MOUNTING.
	955984	1	Sealing ring		LATE TYPE. FOR OIL DIPSTICK, LEFT SIDE MOUNTING.. SN 1101004200/XXXXX-
35		1	OIL FILTER WITH INSTALLATION COMP.	02A-2070	
36		1	OIL COOLER WITH INSTALLATION COMP.	02A-2140	

7735450 - 02A - 02A-1870

15696

Upd: 06 FEB 2006

TD61A, TID61A, TD70A, TID71A



TD71A,TD71AW,TID71A

REF	PART NO.	QTY	DESCRIPTION	SEE SEC.	NOTES
36					