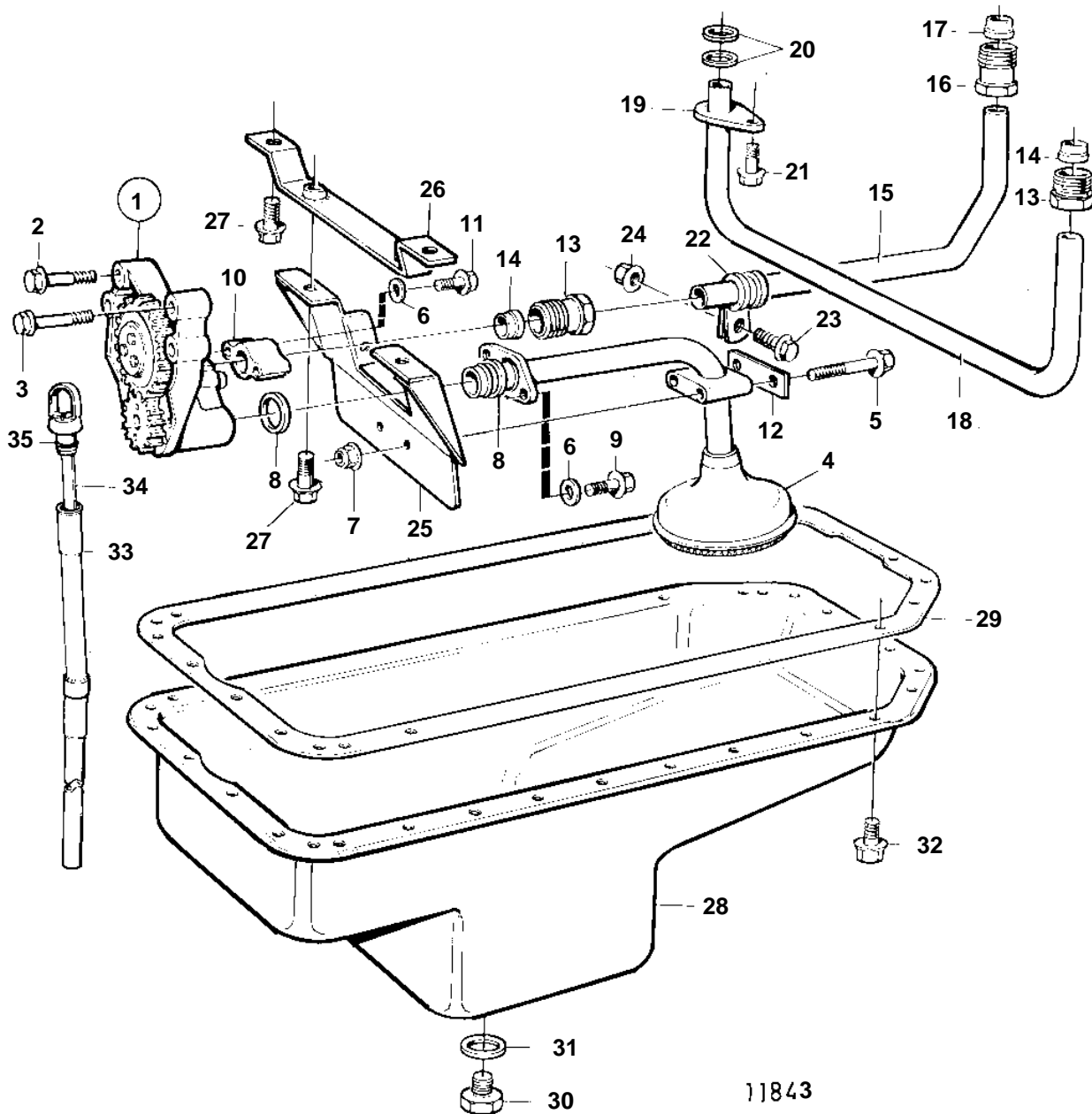
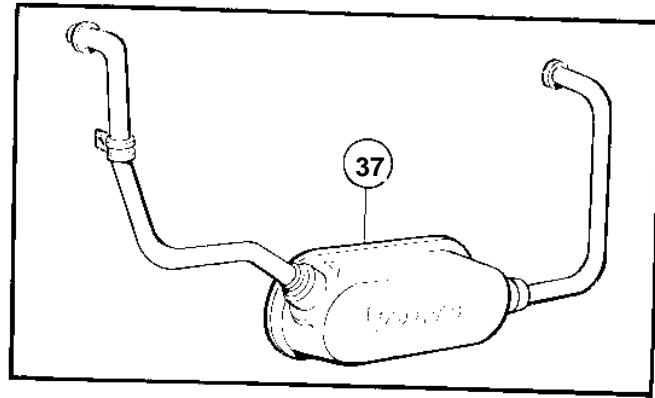
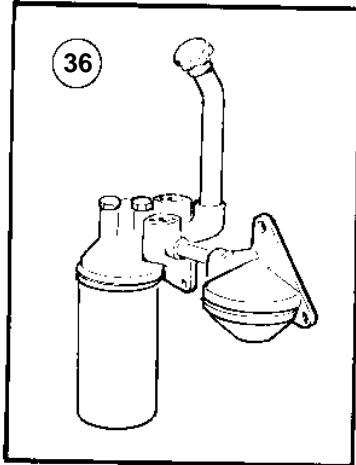


TD61A,TD61AW



11843

TD61A,TD61AW

REF	PART NO.	QTY	DESCRIPTION	SEE SEC.	NOTES
1	471570	1	Oil pump		REPL BY 420867
	420867	1	Oil pump	02A-2250	
				02A-2250	
2	471513	4	Screw		M10X70 MM
3	471734	2	Screw		M8X70 MM
4	4772092	1	Suction pipe		
5	965218	2	Screw		
6	191172	4	Washer		
7	946036	2	Lock nut		
8	470383	2	Sealing ring		
9	965182	2	Flange screw		M8X80MM
10	465846	1	Intermediate section		
11	973080	2	Screw		(955308)
12	421750	1	Washer		
13	471588	2	Pressure pipe connec		
14	956972	2	Ferrule		
15	420993	1	Oil feed pipe		(465845)
16	471595	1	· Pressure pipe connec		
17	956972	1	Ferrule		
18	4772187	1	Oil feed pipe		
19	471746	1	Clamp		
20	471956	2	Sealing ring		
21	946440	1	Flange screw		
22	1545433	1	Clamp		
23	946440	1	Flange screw		
24	945408	1	Flange nut		
25	4772097	1	Baffle plate		
26	4772098	1	Bracket		
27	946440	4	Flange screw		
28	4772139	1	Oil pan		
29	865341	1	Gasket		(864484)
30	949175	1	Magnetic plug		
31	18813	1	Gasket		
32	946440	34	Flange screw		
33	848700	1	Tube		
34	849605	1	Oil dipstick		
35	925054	1	· O-ring		
36		1	OIL FILTER HOUSING	02A-2005	
37		1	OIL COOLER	02A-2120	