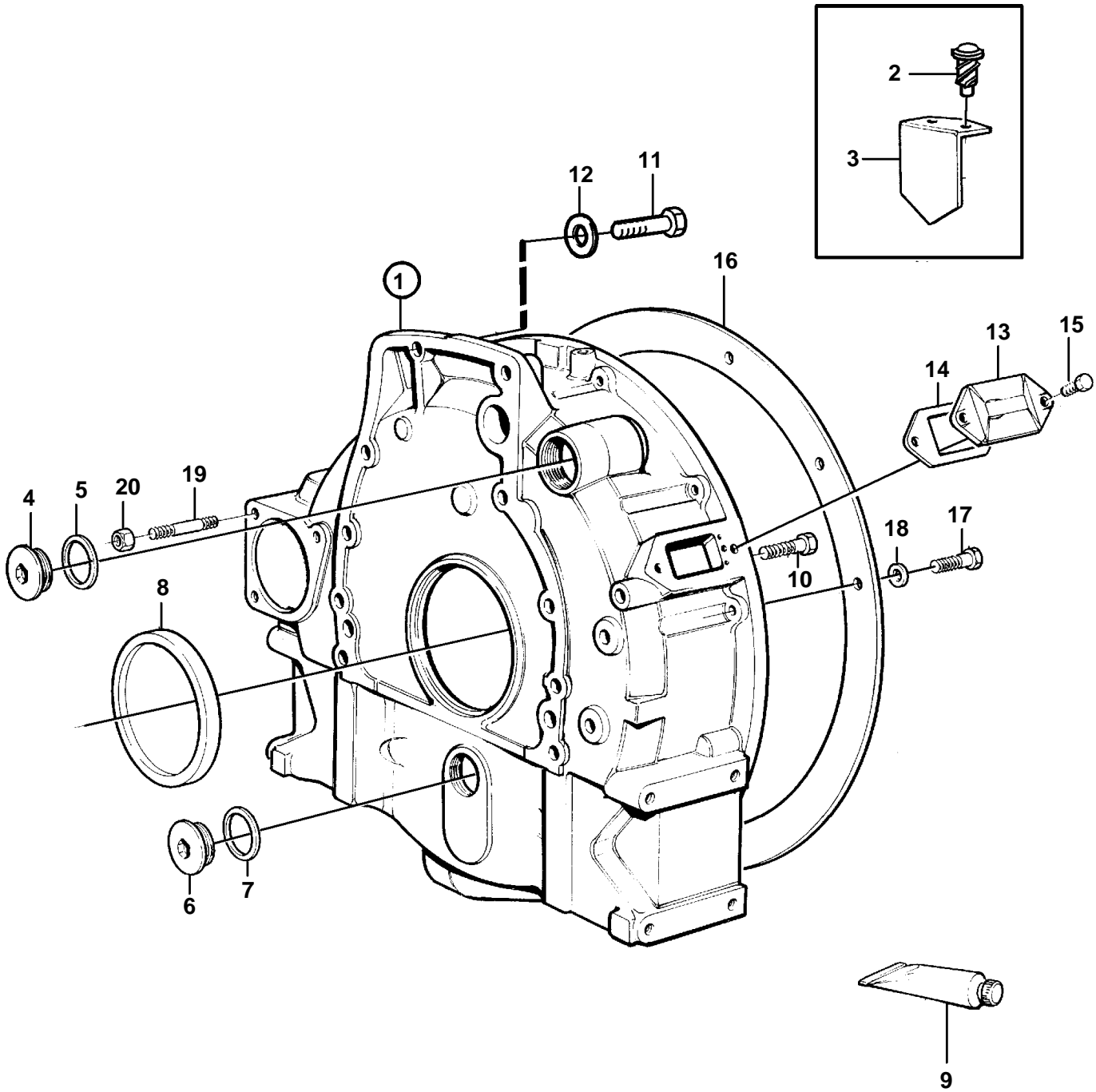


TD61AW,TD71AW



TD61AW,TD71AW

REF	PART NO.	QTY	DESCRIPTION	NOTES
1	4772237	1	Flywheel housing	STD
	848465	1	Flywheel housing	FORALLISON 2000 AND 3000.
2	905654	2	Drive screw	
3	849405	1	Setting indicator	
4	467367	1	Plug	
5	469328	1	Gasket	
6	467367	1	Plug	FORALLISON 2000 AND 3000.
7	469328	1	Gasket	FORALLISON 2000 AND 3000.
8	3825165	1	Sealing ring	
9	1161231	1	Sealant	
10	966361	6	Flange screw	L = 55 MM
	968753	2	Flange screw	L = 75 MM
11	966363	2	Flange screw	L = 65 MM
12	941911	2	Spring washer	EARLY TYPE
13	4772168	1	Cover	
14	4804167	1	Gasket	
15	946934	2	Flange screw	
16	848176	1	Spacer ring	SAE2-3. FORCLARK 28000.. FORALLISON 2000 AND 3000.
17	955535	12	Screw	
18	942336	12	Spring washer	
19	953067	3	Stud	
20	971095	3	Nut	