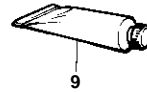
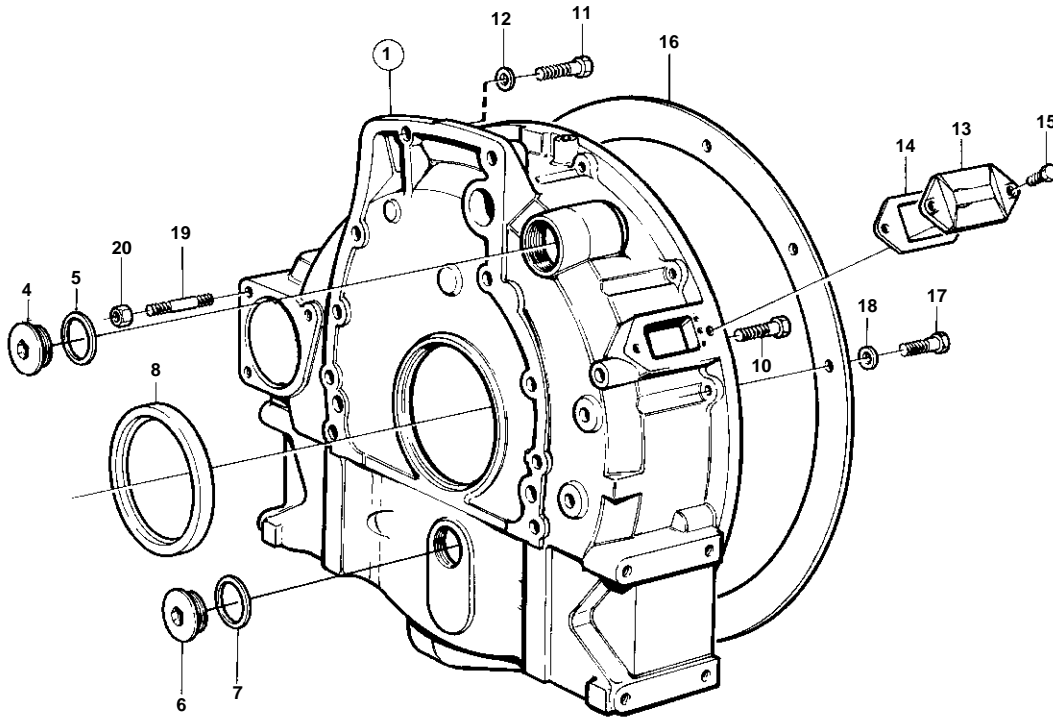
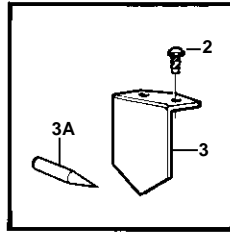


TD61A,TD71A,TID71A



11573

TD61A,TD71A,TID71A

REF	PART NO.	QTY	DESCRIPTION	SEE SEC.	NOTES
1	4772237	1	Flywheel housing		STD
	848465	1	Flywheel housing		FORCLARK 24000.. FORALLISON 2000 AND 3000.
	848464	1	Flywheel housing		FORALLISON MT643 WITH VOLVO PENTA FLYWHEEL COVER.
		1	FLYWHEEL HOUSING OF VEHICLE TYPE		FORALLISON MT643 WITH FLYWHEEL COVER OF VEHICLE TYPE.. FOR ZF WG180 WITH FLYWHEEL COVER OF VEHICLE TYPE.
				02A-0580	
2	905654	2	Drive screw		FORCLARK 28000.. FORALLISON MT643 WITH VOLVO PENTA FLYWHEEL COVER.
3	849405	1	Setting indicator		FORCLARK 28000.. FORALLISON MT643 WITH VOLVO PENTA FLYWHEEL COVER.
3A	864494	1	Turn signal		(4772141)
4	467367	1	Plug		
5	469328	1	Gasket		
6	467367	1	Plug		FÖR/FOR 848465,848464
7	469328	1	Gasket		
8	3825165	1	Sealing ring		
9	1161231	1	Sealant		
10	966361	6	Flange screw		L = 55 MM
	968753	2	Flange screw		L = 75 MM
11	966363	2	Flange screw		L = 65 MM
12	941911	2	Spring washer		EARLY TYPE
13	4772168	1	Cover		
14	4804167	1	Gasket		
15	946934	2	Flange screw		
16	848176	1	Spacer ring		SAE 2-3. FORCLARK 24000.. FORCLARK 28000.. FORALLISON 2000 AND 3000.
17	955535	12	Screw		
18	942336	12	Spring washer		
19	953067	3	Stud		
20	971095	3	Nut		