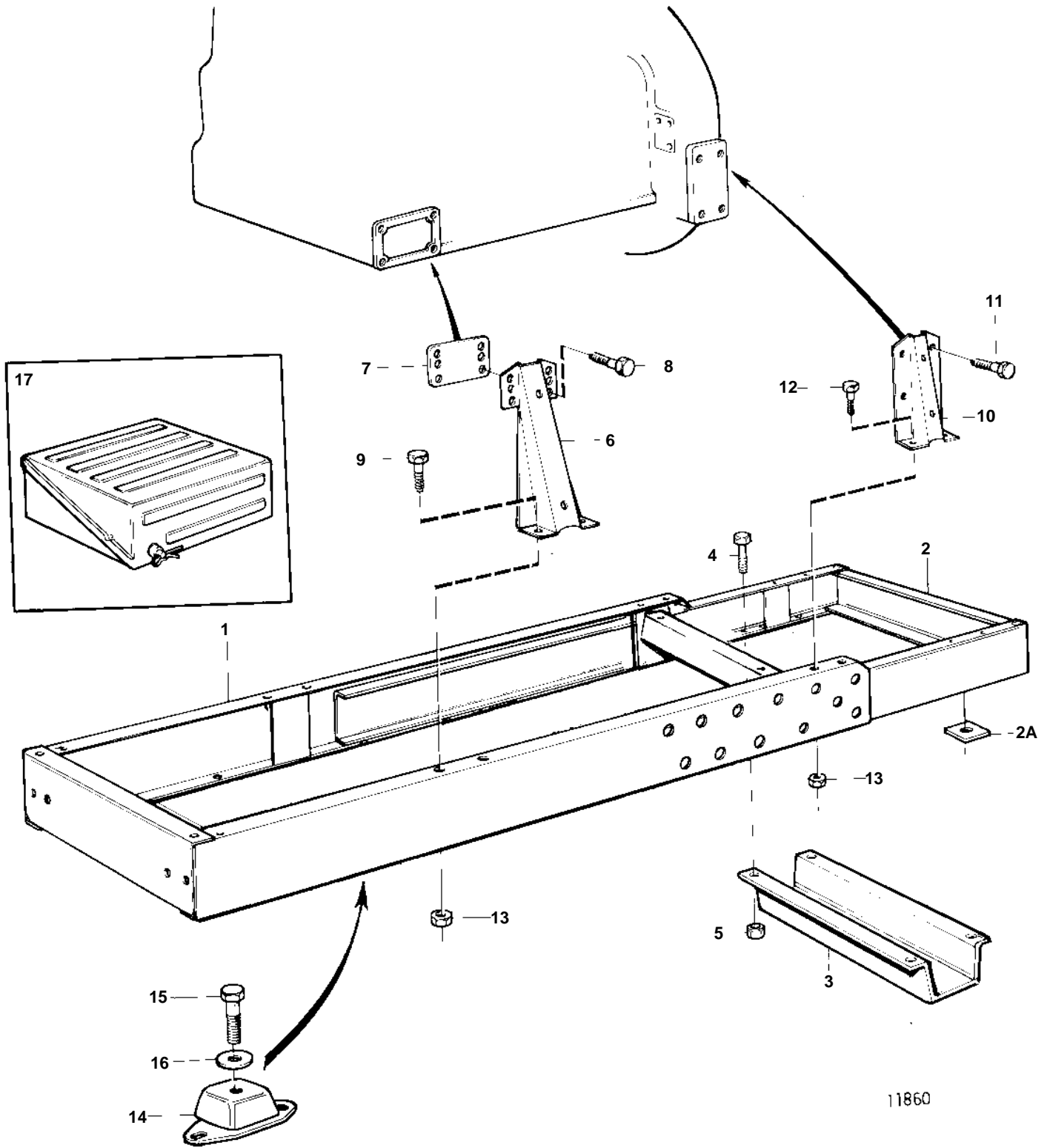


TD61AGP,TID61AGP,TD71AGP,TID71AGP



TD61AGP,TID61AGP,TD71AGP,TID71AGP

REF	PART NO.	QTY	DESCRIPTION	SEE SEC.	NOTES
1	862934	1	Frame		*REPLACED BY 1PC FRAME 865870 AND 2PCS WASCHER 865549.
	865870	1	Frame		
2		1	· SUPPORT MEMBER		
2a	865549	2	Washer		
3	862905	1	Crossmember		FOR 862934
4	946329	4	Flange screw		L = 25 MM
5	971095	4	Nut		
6	847800	2	Engine bracket		
7	847889	1	Spacer		LEFT
8	965227	4	Screw		L = 55 MM
	965193	4	Screw		L = 50 MM
9	965191	4	Screw		L = 30 MM
10	847801	2	Engine bracket		
11	965193	4	Screw		L = 50 MM
	946817	4	Screw		L = 25 MM
12	965191	4	Screw		L = 30 MM
13	971096	8	Nut		
14	862073	4	Rubber element		65SH
15	961305	4	Screw		
16	906837	4	Washer		
17		1	BATTERY BOX AND INSTALLATION COMP.	02A-2790	