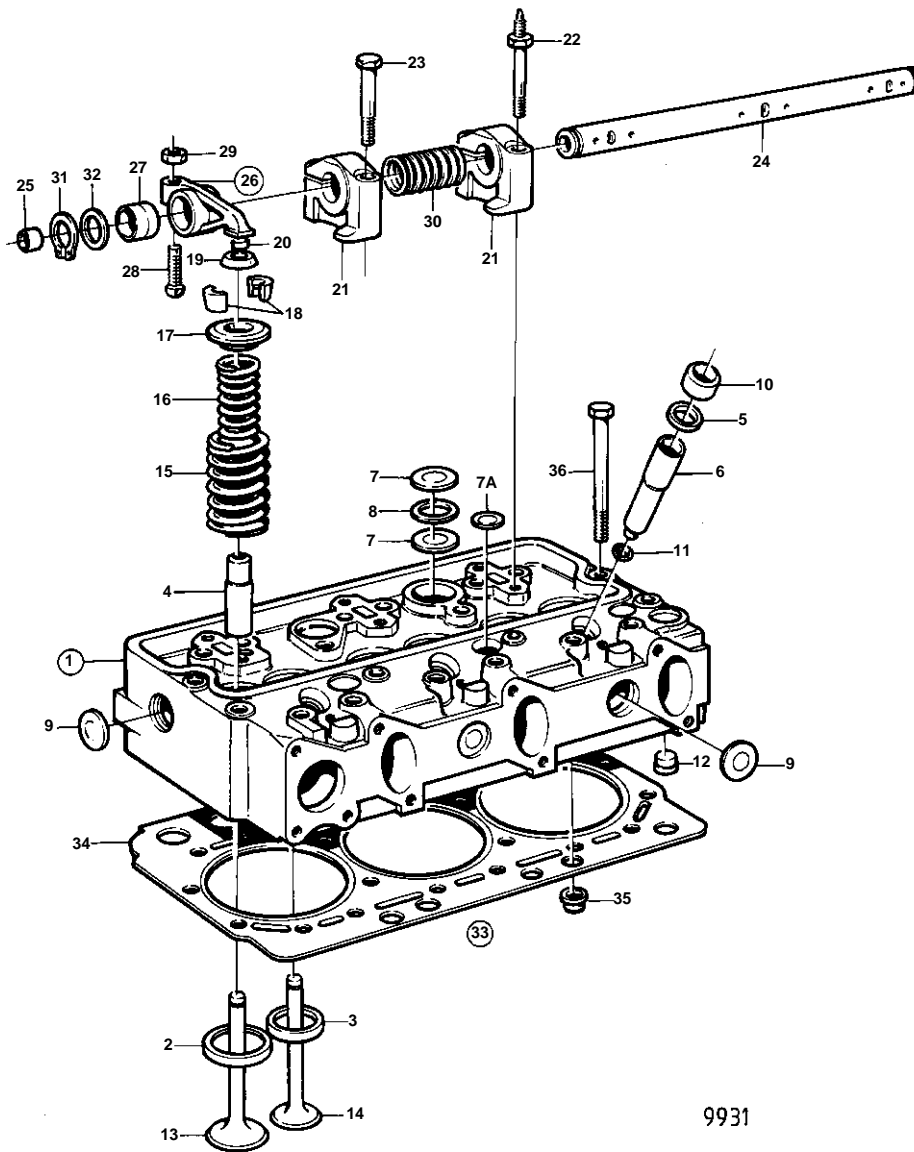
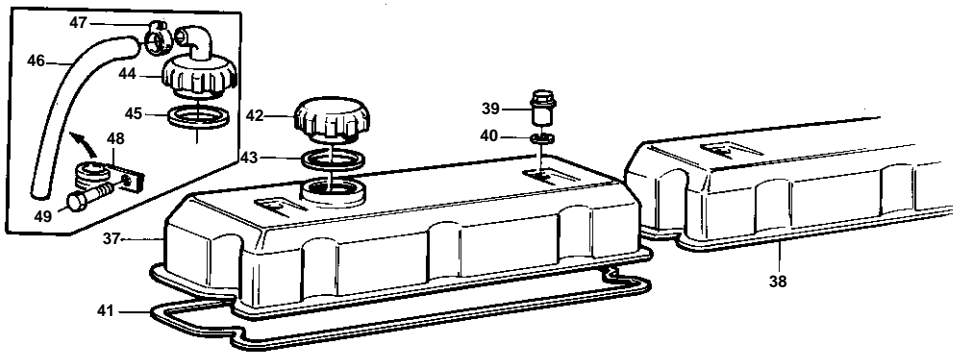


TD71,TID71



9931

TD71,TID71

REF	PART NO.	QTY	DESCRIPTION	NOTES
1	471409	2	Cylinder head	ALSO AVAILABLE AS AN EXCHANGE PART CONSISTING OF CYLINDER HEAD,INTAKE AND EXHAUST VALVES,VALVE SPRINGS,WASHERS AND LOCKS.
	3803311	2	Cylinder head, exch	Exchange unit
2	421011	6	· Valve seat	INSUG-INLET
3	466266	6	· Valve seat	AVGAS-EXHAUST
4	466386	12	· Valve guide	
5	466405	6	· Rubber ring	
6	466403	6	· Sleeve	
7	477026	8	· Expansion plug	
7A	477026	6	· Expansion plug	
8	947626	4	· Gasket	
9	477024	8	· Expansion plug	
10	466420	6	· Steel ring	
11	466922	6	· O-ring	
12	465420	10	· Nozzle	
13	466379	6	Inlet valve	
14	842080	6	Exhaust valve	
15	466384	12	Valve spring	
16	466383	12	Spring	
17	466382	12	Washer	
18	468305	24	Valve collet	
19	469456	12	Protecting ring	
20	478074	12	Valve cap	
21	471511	6	Bearing bracket	
22	471512	4	Stud	
23	471513	8	Screw	
24	471518	2	Rocker arm shaft	
25	946778	2	· Cap plug	
26	422063	12	Rocker arm	
27	422066	12	· Bushing	
28	423058	12	· Ball stud	
29	940175	12	· Nut	
30	421173	4	Spring	
31	914459	4	Lock ring	
32	941488	4	Washer	
33	275779	2	Gasket kit	
34		2	· GASKET	IK
35	465784	12	· Sealing ring	IK D = 26 MM
	466421	16	· Sealing ring	IK D = 19 MM
	422413	2	· Sealing ring	IK D = 14 MM
36	471481	40	Screw	
37	471813	2	Valve cover	ALT
	471813	1	Valve cover	FOR ENGINE,40%Z9 INCLANATION.
38	471426	2	Valve cover	STD
	471426	1	Valve cover	FOR ENGINE,40%Z9 INCLANATION.
39	465961	4	Nut	
40	471856	4	Sealing ring	
41	471520	2	Gasket	
42	421753	2	Oil filler cap	ALT
43	940096	2	Gasket	ALT
44	848261	1	Breather cap	FOR ENGINE,40%Z9 INCLANATION.
45	940096	1	Gasket	FOR ENGINE,40%Z9 INCLANATION.
46	844508	1	Hose	FOR ENGINE,40%Z9 INCLANATION.
47	943473	1	Hose clamp	FOR ENGINE,40%Z9 INCLANATION.
48	943717	1	Clamp	FOR ENGINE,40%Z9 INCLANATION.
49	946440	1	Flange screw	FOR ENGINE,40%Z9 INCLANATION.