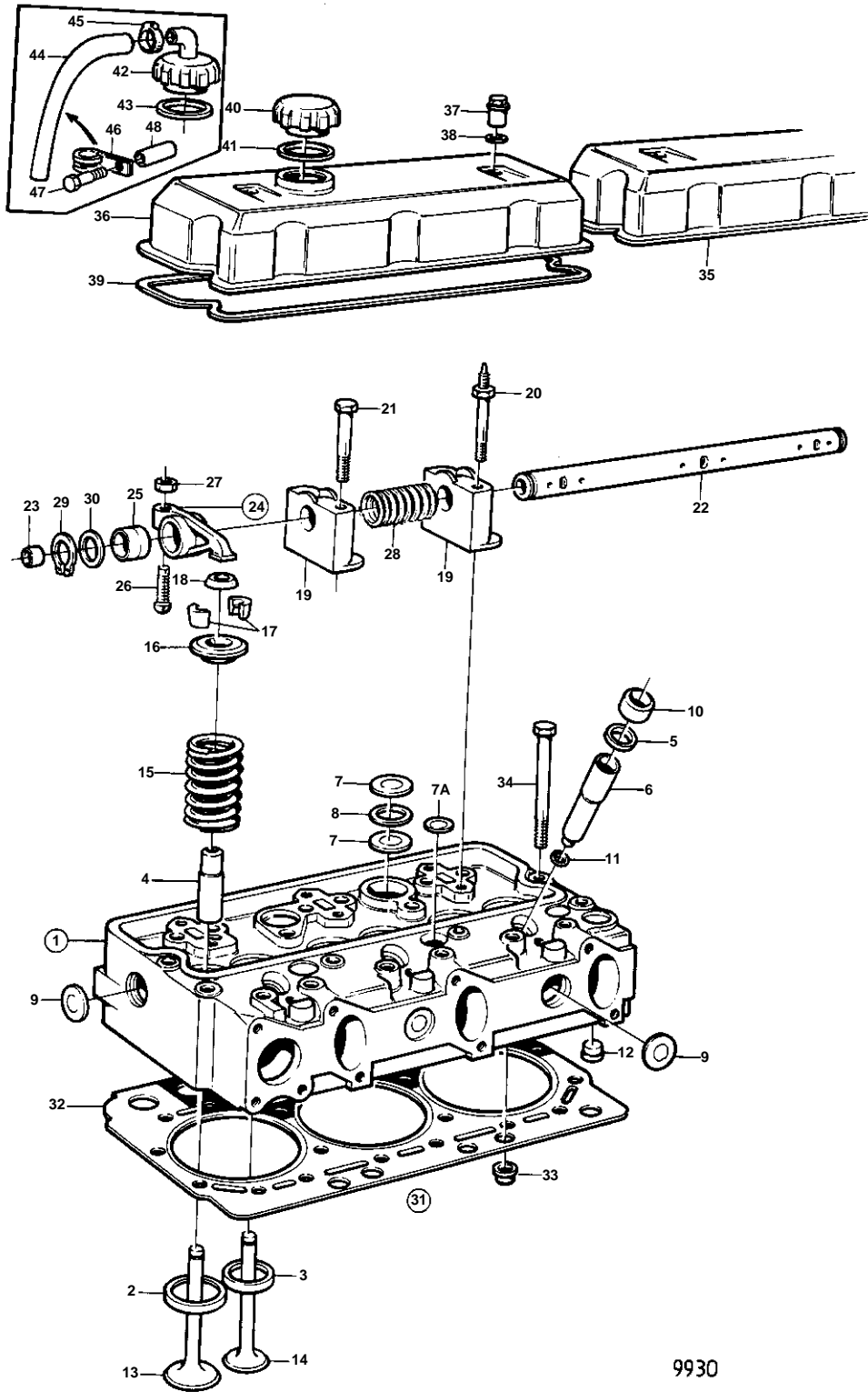


TD61,TID61



TD61,TID61

REF	PART NO.	QTY	DESCRIPTION	NOTES
1	465780	2	Cylinder head	SN-2061157454, ERS AV 420942
	420942	1	Cylinder head	SN2061157455-
	3803099	1	Cylinder head, exch	Exchange unit
2	465158	6	· Valve seat	INSUG-INLET
3	465155	6	· Valve seat	AVGAS-EXHAUST
4	477792	12	· Valve guide	
5	466405	6	· Rubber ring	
6	466404	6	· Spray sleeve	
7	477026	8	· Expansion plug	
7A	477026	6	· Expansion plug	
8	947626	4	· Gasket	
9	477024	8	· Expansion plug	
10	466420	6	· Steel ring	
11	466922	6	· O-ring	
12	465420	4	· Nozzle	
13	420553	6	Valve	
14	465549	6	Exhaust valve	
15	465233	12	Valve spring	
16	465550	12	Washer	
17	465284	24	Lock	
18	465551	12	Protecting ring	IK
19	1665204	6	Bearing bracket	
20	471512	4	Stud	
21	471513	8	Screw	
22	465790	2	Rocker arm shaft	
23	955083	4	· Cap plug	
24	420132	6	Rocker arm	AVGAS-EXHAUST
	420129	6	Rocker arm	INSUG-INLET
25	420125	12	· Bushing	
26	423058	12	· Ball stud	
27	940175	12	· Nut	
28	411139	4	Spring	
29	914456	4	Lock ring	
30	400722	4	Washer	
31	276821	2	Gasket kit	(275774)
32		2	· GASKET	IK
33	465784	12	· Sealing ring	IK D = 26 MM
	466421	16	· Sealing ring	IK D = 19 MM
	422413	2	· Sealing ring	IK D = 14 MM
34	465840	40	Screw	
35	465951	2	Valve cover	STD
	465951	1	Valve cover	FOR ENGINE,40%Z9 INCLANATION.
36	465950	2	Valve cover	ALT
	465950	1	Valve cover	FOR ENGINE,40%Z9 INCLANATION.
37	465961	4	Nut	
38	471856	4	Sealing ring	IK
39	465952	2	Gasket	IK
40	421753	2	Oil filler cap	ALT
41	940096	2	Gasket	ALT
42	848261	1	Breather cap	FOR ENGINE,40%Z9 INCLANATION.
43	940096	1	Gasket	FOR ENGINE,40%Z9 INCLANATION.
44	844508	1	Hose	FOR ENGINE,40%Z9 INCLANATION.
45	943473	1	Hose clamp	FOR ENGINE,40%Z9 INCLANATION.
46	943717	1	Clamp	FOR ENGINE,40%Z9 INCLANATION.
47	965183	1	Flange screw	FOR ENGINE,40%Z9 INCLANATION.
48	807425	1	Sleeve	FOR ENGINE,40%Z9 INCLANATION.