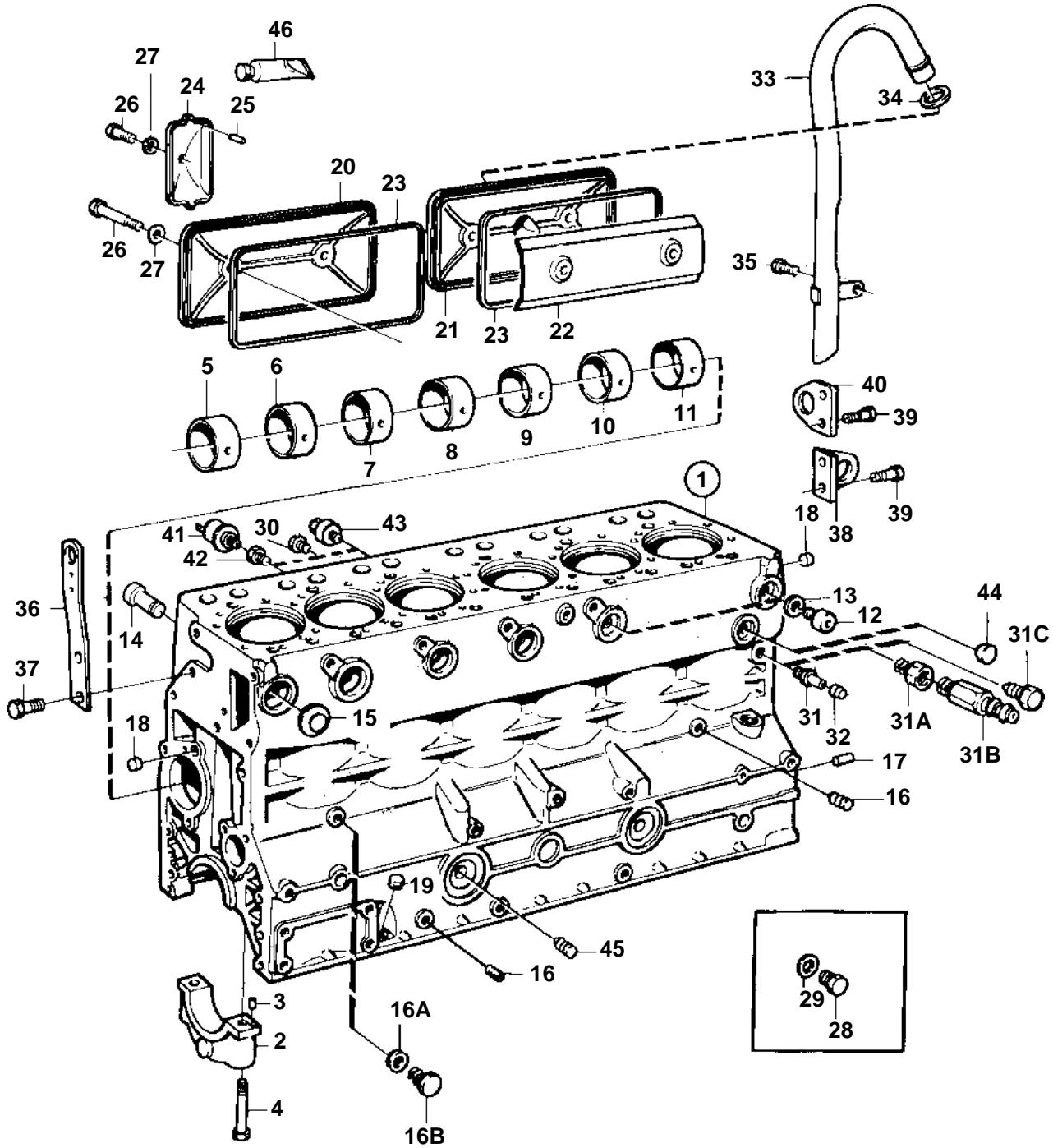


TD61A,TD61AW,TD61ACE,TD61AG,TD61AGP,TD61AP,TD61APB



TD61A,TD61AW,TD61ACE,TD61AG,TD61AGP,TD61AP,TD61APB

REF	PART NO.	QTY	DESCRIPTION	NOTES
1	420580	1	Cylinder block	REPL BY 465800. SPARE PART DESIGN
	465800	1	Cylinder block	REPL BY 420700. SPARE PART DESIGN
	420700	1	Cylinder block	ERS AV 420990
	420990	1	Cylinder block	
2		7	• BEARING CAP	*
3	422426	1	• Pin	
4	465899	14	• Screw	
5	422076	1	• Bushing	*
6	422077	1	• Bushing	
7	422078	1	• Bushing	
8	422079	1	• Bushing	
9	422080	1	• Bushing	
10	422081	1	• Bushing	
11	422082	1	• Bushing	
12	467367	2	• Plug	
13	469328	2	• Gasket	
14	422369	7	• Plug	
15	1542263	4	• Expansion plug	
16	968145	2	• Plug	
16A	965768	1	• Plug	
16B	947281	1	• Gasket	
17	191171	2	• Pin	
18	955082	2	• Cap plug	
19	955082	1	Cap plug	
20	420120	1	Inspection cover	
21	420121	1	Inspection cover	
22	471858	1	Splash plate	
23	421121	2	Gasket	
24	471854	1	Cover	
25	951974	1	Spring pin	
26	471855	5	Screw	
27	471856	5	Sealing ring	
28	960630	1	Plug	
29	18665	1	Gasket	
30	191026	2	Plug	PLUG FOR OIL PRESSURE POINT.
31	946121	1	Nipple	EARLY TYPE. *REPLACED BY 1PC 479954 AND 1PC 947893.
31A	479954	1	Nipple	
31B	947893	1	Drain cock	
31C	479956	1	Plug	TD61ACE
32	476279	1	Protective cap	TID.UTF.
33	848497	1	Tube	
34	421158	1	Sealing ring	
35	946440	1	Flange screw	
36	848346	1	Lift iron	STD
	420556	1	Lifting eye	WHEN LOW TURBO IS INSTALLED.
37	965191	2	Screw	L = 30 MM
	965191	1	Screw	L = 30 MM. FOR ENGINE WITH PIPE OIL COOLER.
	965194	1	Screw	L = 60 MM. FOR ENGINE WITH PIPE OIL COOLER.
38	465778	2	Lifting eye	STD
	465994	2	Lifting eye	WHEN LOW TURBO IS INSTALLED.
39	965191	4	Screw	
40	849556	2	Lifting eye	TD61ACE
41		1	OIL PRESSURE SENSOR	SEE GROUP 3
42		1	NIPPLE	SEE GROUP 3
43		1	OIL-PRESSURE CONTACT	SEE GROUP 3
44	420589	1	Expansion plug	FOR ENGINE WITH PIPE OIL COOLER.
45	968145	2	Plug	FOR ENGINE WITH PIPE OIL COOLER.
46	1161231	1	Sealant	