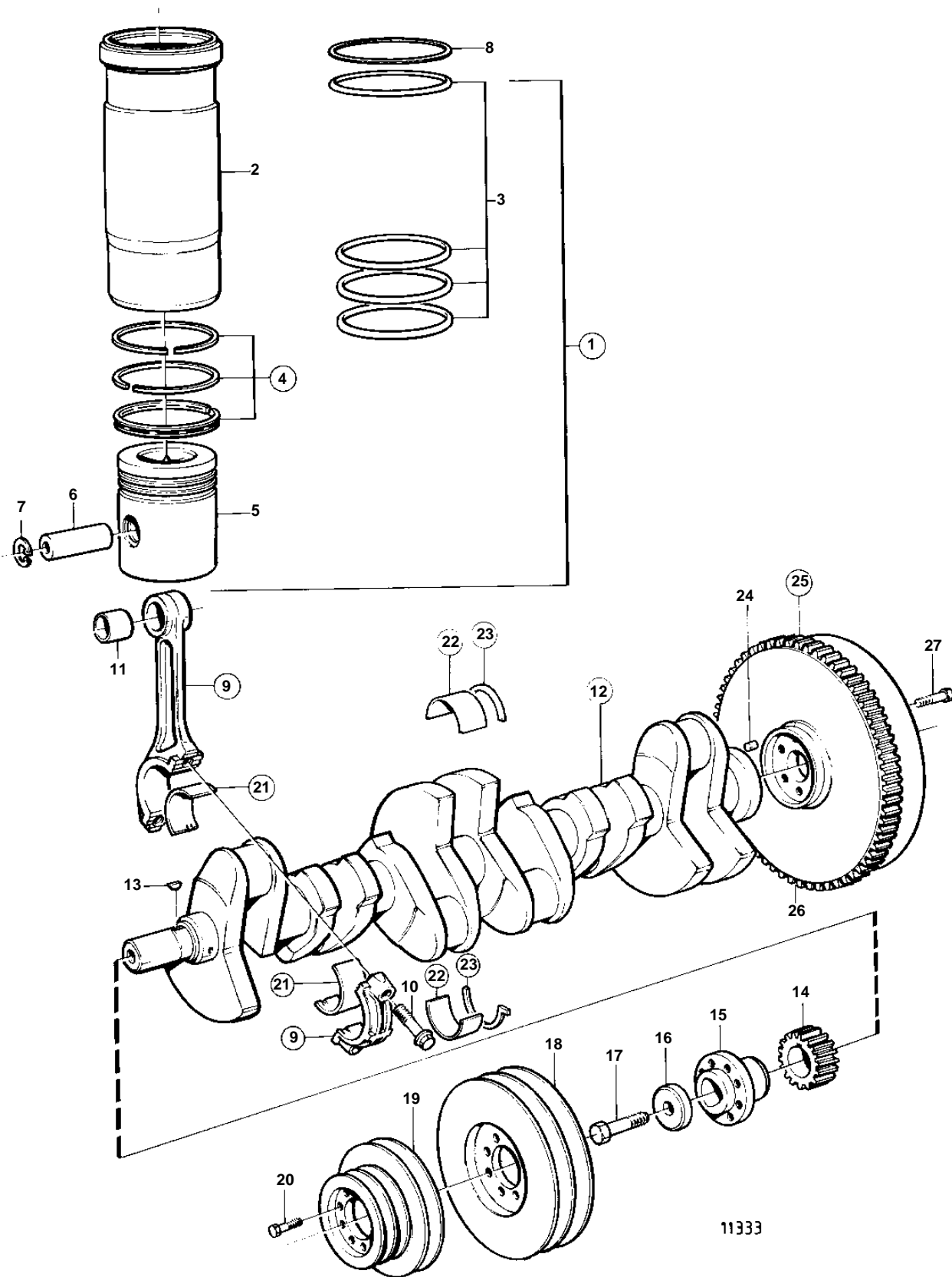


TD71ACE,TD71AP,TD71APB,TID71AP, TID71APB



**TD71ACE,TD71AP,TD71APB,TID71AP, TID71APB**

REF	PART NO.	QTY	DESCRIPTION	SEE SEC.	NOTES
1	876183	6	Cylinder liner kit		(876059)
2		6	· CYLINDER LINER	IK	
3	271159	6	· Sealing ring kit	IK	(275778)
4	271117	6	· Piston ring kit	IK	(275375)
5		6	· PISTON	IK	
6	477927	6	· Piston pin	IK	STD D
7	914525	12	· Lock ring	IK	
8	466878	X	Adjusting washer		TH=0.12 MM
	466114	X	Adjusting washer		TH=0.20 MM
	466183	X	Adjusting washer		TH=0.30 MM
	466184	X	Adjusting washer		TH=0.50 MM
9	471523	6	Connecting rod		
10	465815	12	· Screw		
11	471364	6	· Bushing		
12	471411	1	Crankshaft, CRANKSHAFT		SN-XXXXXXXXXX/16679 REPL BY 477116
	477116	1	Crankshaft		
13	422253	1	· Woodruff key		*
14	471528	1	Gear		*
			Bulletin 45-01	45-01-EN	Timing Gears, 71, 100, 121
15	465779	1	Hub		
16	420124	1	Washer		
17	470366	1	Screw		
18	421515	1	Vibration damper		(471194)
19	4772117	1	Pulley		3 SPÄR-3 GROOVE
	847783	1	Pulley		4 SPÄR-4 GROOVE,ALT
20	471529	8	Screw		L = 60 MM
	471372	8	Screw		L = 135 MM, ALT
21	270115	6	Big end bearing kit		STD
	270116	6	Big end bearing kit		0.254MM UD
	270117	6	Big end bearing kit		0.508MM UD
	270118	6	Big end bearing kit		0.762MM UD
	270119	6	Big end bearing kit		1.016MM UD
	270120	6	Big end bearing kit		1.270MM UD
22	270432	7	Main bearing kit		STD
	270433	7	Main bearing kit		0.254MM UD
	270434	7	Main bearing kit		0.508MM UD
	270435	7	Main bearing kit		0.762MM UD
	270436	7	Main bearing kit		1.016MM UD
	270437	7	Main bearing kit		1.270MM UD
23	276754	1	Thrust washer kit		STD
	276755	1	Thrust washer kit		0.100MM ÖD
	276756	1	Thrust washer kit		0.200MM ÖD
	276757	1	Thrust washer kit		0.300MM ÖD
24	950677	1	Pin		
25	864260	1	Flywheel		(848372). FOR FLEXIBLE COUPLING AND FRICTION CLUTCH.
26	420067	1	· Gear ring		
27	465825	6	Screw		