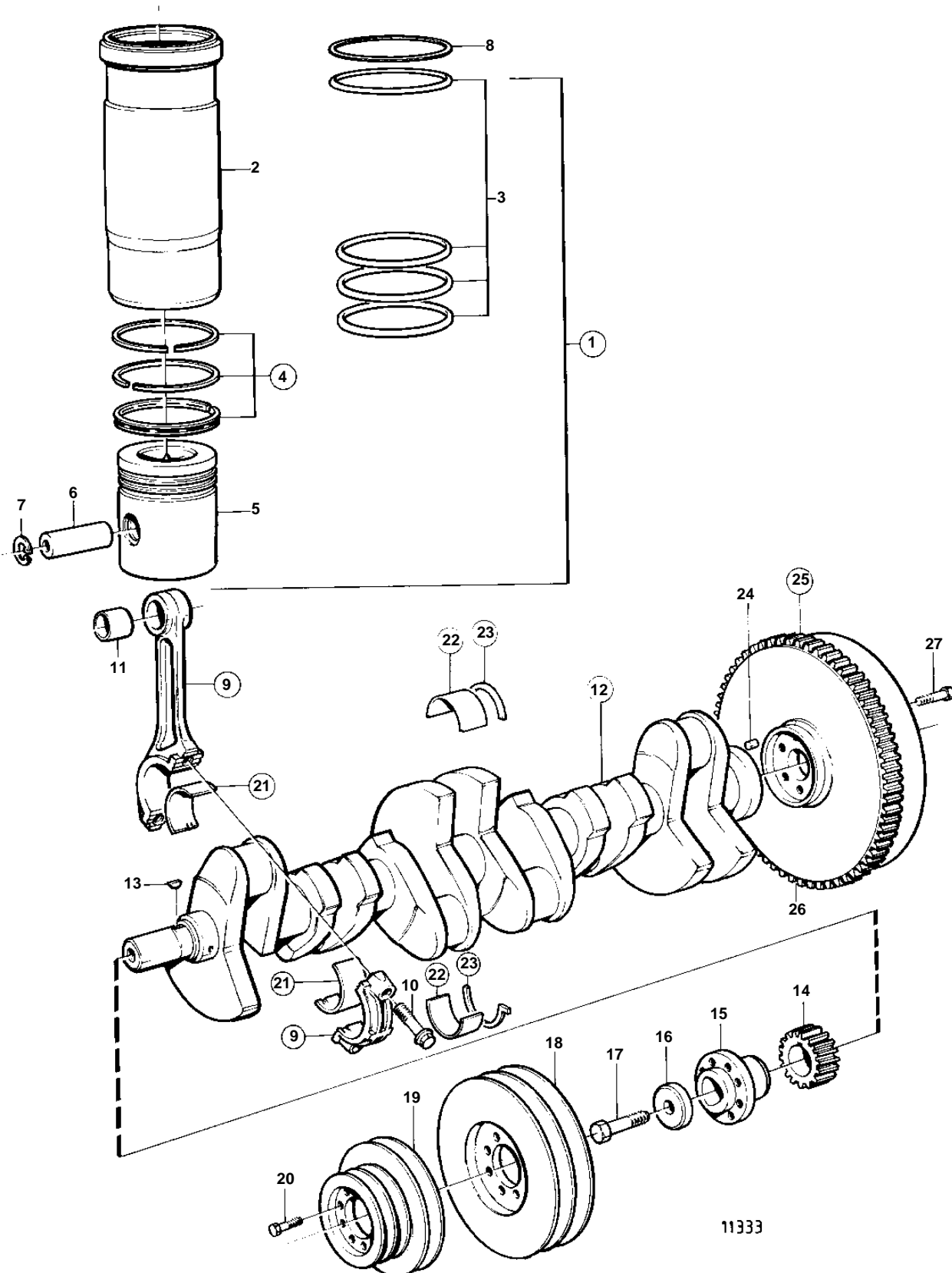


TD61ACE,TD61AG,TD61AGP,TD61AP, TD61APB,TID61AG,TID61AGP



TD61ACE,TD61AG,TD61AGP,TD61AP, TD61APB,TID61AG,TID61AGP

REF	PART NO.	QTY	DESCRIPTION	SEE SEC.	NOTES
1	876199	6	Cylinder liner kit		(876134)
2		6	· CYLINDER LINER	IK	
3	271161	6	· Sealing ring kit	IK	(275772)
4	270713	6	· Piston ring kit	IK	(275320)
5		6	· PISTON	IK	
6	420258	6	· Piston pin	IK	STD D
	420988	6	· Piston pin		FOR TD61ACE-AG-AP FOR TID61AG
7	914523	12	· Lock ring	IK	
8	465394	X	Adjusting washer		TH=0.20 MM
	465395	X	Adjusting washer		TH=0.30 MM
	465396	X	Adjusting washer		TH=0.50 MM
9	465812	6	Connecting rod		
10	465815	12	· Screw		
11	465816	6	· Bushing		
12	465798	1	Crankshaft, CRANKSHAFT		SN-XXXXXXXXXX/25491 REPL BY 420662
	420662	1	Crankshaft		
13	422253	1	· Woodruff key		*
14	471528	1	Gear		*
			Bulletin 45-01	45-01-EN	Timing Gears, 71, 100, 121
15	465779	1	Hub		
16	420124	1	Washer		
17	470366	1	Screw		
18	421515	1	Vibration damper		(471194)
19	4772117	1	Pulley		3 SPÅR-3 GROOVE
	847783	1	Pulley		4 SPÅR-4 GROOVE,ALT
20	471529	8	Screw		L = 60 MM
	471372	8	Screw		L = 135 MM, ALT
21	270139	6	Big end bearing kit		STD D
			Bulletin 45-30	45-30-EN	New connecting rod for TAMD60B
21	270140	6	Big end bearing kit		0.254MM UD
	270141	6	Big end bearing kit		0.508MM UD
	270142	6	Big end bearing kit		0.762MM UD
	270143	6	Big end bearing kit		1.016MM UD
	270144	6	Big end bearing kit		1.270MM UD
22	271230	7	Main bearing kit		STD D
	271231	7	Main bearing kit		0.254MM UD
	271232	7	Main bearing kit		0.508MM UD
	271233	7	Main bearing kit		0.762MM UD
	271234	7	Main bearing kit		1.016MM UD
	271235	7	Main bearing kit		1.270MM UD
23	276751	1	Thrust washer kit		STD D
	276752	1	Thrust washer kit		0.100MM ÖD
	276753	1	Thrust washer kit		0.200MM ÖD
	276780	1	Thrust washer kit		0.300MM ÖD
24	950677	1	Pin		
25	864260	1	Flywheel		(848372). FOR FLEXIBLE COUPLING AND FRICTION CLUTCH.
26	420067	1	· Gear ring		
27	465825	6	Screw		L = 39 MM