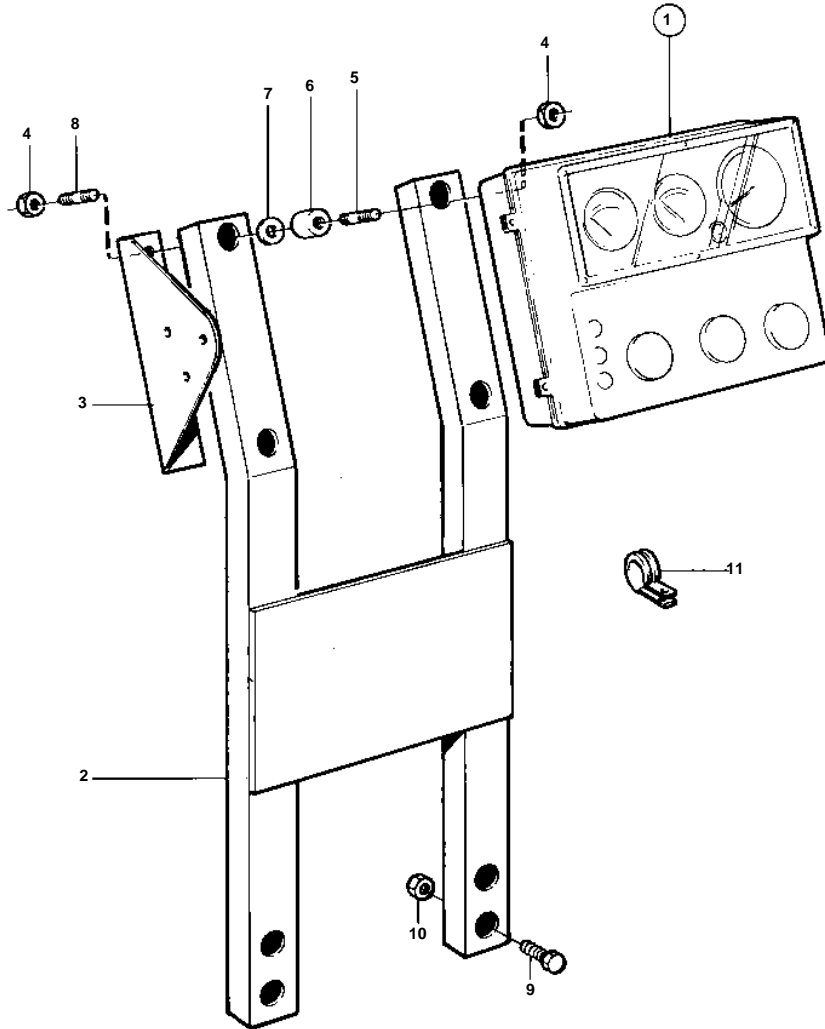


TD61AP,TD71AP,TID71AP



9281

TD61AP,TD71AP,TID71AP

REF	PART NO.	QTY	DESCRIPTION	SEE SEC.	NOTES
1	849968	1	Instrument		
				030-1520	
2	862178	1	Anchorage		
3		1	ATTACHMENT PLATE		SEE GROUP 2D
4	945407	8	Flange nut		
5	924050	4	Stud		L = 25 MM
6	899709	4	Vibration damper		
7	807184	4	Spacer sleeve		
8	924052	4	Stud		L = 30 MM
9	946817	4	Screw		
10	971096	4	Nut		(945410)
11	952632	1	Clamp		D = 20,5 MM
	952634	1	Clamp		D = 24 MM