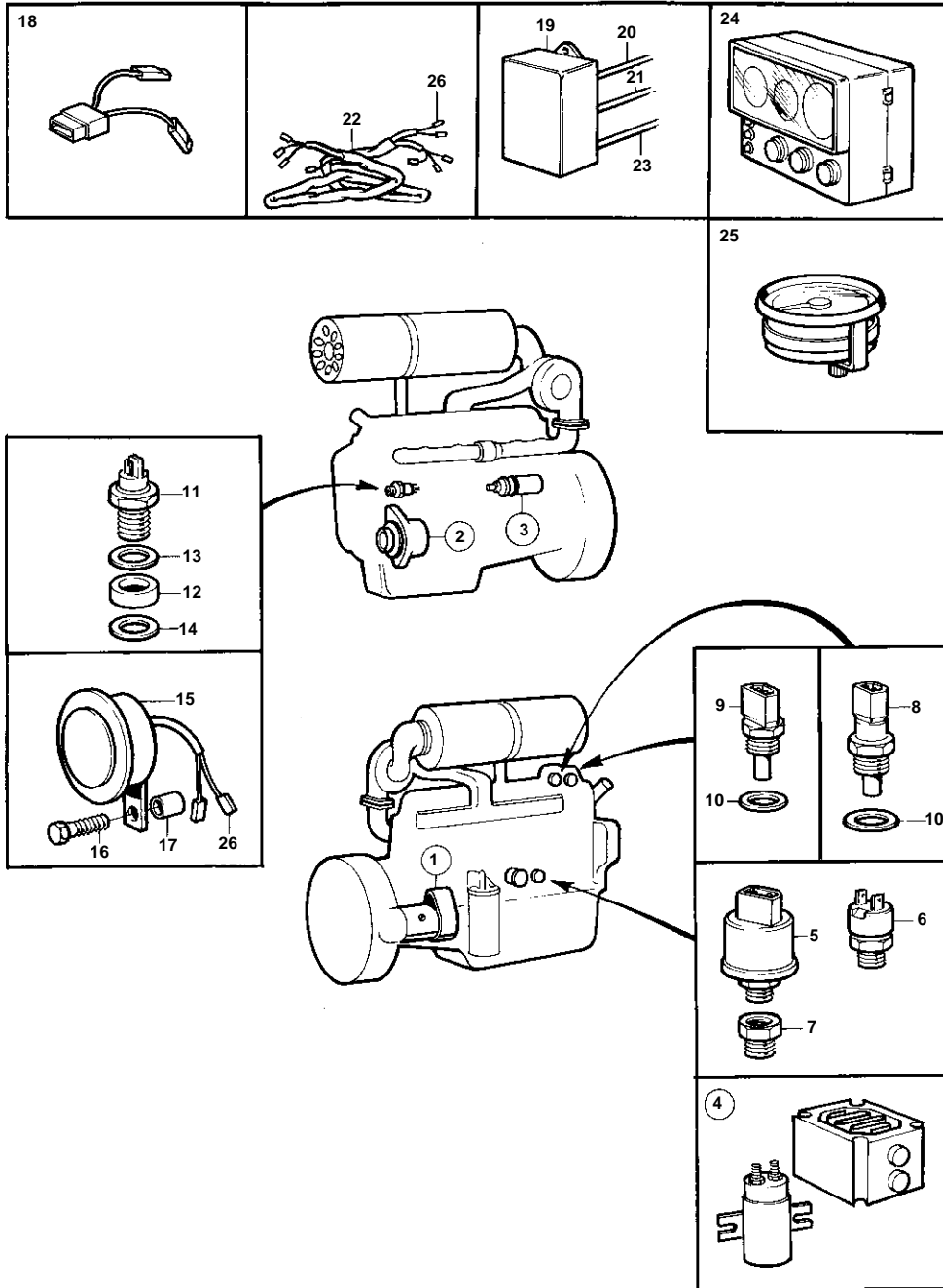


TD61AP,TD61APB



9678

TD61AP,TD61APB

REF	PART NO.	QTY	DESCRIPTION	SEE SEC.	NOTES
1		1	STARTER MOTOR AND INSTALLATION COMP.		
				030-1250	
2		1	ALTERNATOR AND INSTALLATION COMP.		LEFT SIDE.
				030-0735	
3		1	STOP SOLENOID AND INSTALLATION COMP.		
					SEE GROUP 2D
4		1	STARTING ELEMENT AND RELAY		
					SEE GROUP 2B
5	866833	1	Pressure sensor		(843231)
6	863169	1	Pressure monitor		(864415)
7	835980	1	Nipple		
8	822858	1	Thermo monitor		97%Z9C
9	843325	1	Temperature sensor		
10	947624	1	Gasket		
11	1502028	1	Tachometer sensor		
12	848713	1	Spacer sleeve		L = 12,4 MM. REPLACED BY 1EA SPACER SLEEVE AND 1EA GASKET 947624.
13	949656	1	O-ring		
14	949656	1	O-ring		
15	850420	1	Horn		
16	947760	1	Flange screw		
17	807425	1	Sleeve		
19		1	ELECTRICAL BOX AND INSTALLATION COMP.		EARLY TYPE
				030-0490	
		1	ELECTRICAL BOX AND INSTALLATION COMP.		LATE TYPE
				030-0500	
20	828667	1			STD. TO INSTRUMENT PANEL.
	846694	1	Cable trunk		SPLIT END. TO INSTRUMENT PANEL.
21	848697	1	Cable trunk		MOTOR-ENGINE. FOR ENGINE WITH UPRIGHT ELECTRICAL BOX.
	849442	1	Cable trunk		MOTOR-ENGINE. FOR ENGINE WITH LYING ELECTRICAL BOX.
23	849464	1	Cable kit		STARTER MOTOR, STOP SOLENOID, ALARM.
	848947	1	Cable kit		STOP SOLENOID.
	847050	1	Cable trunk		STARTER MOTOR.
24		1	INSTRUMENTATION	030-1440	
25		X	EXTRA*EL.EQUIPMENT	030-1400	
26		X	CABLES AND TERMINALS	030-1560	
		X	ELECTRICAL MATERIALS	030-1570	