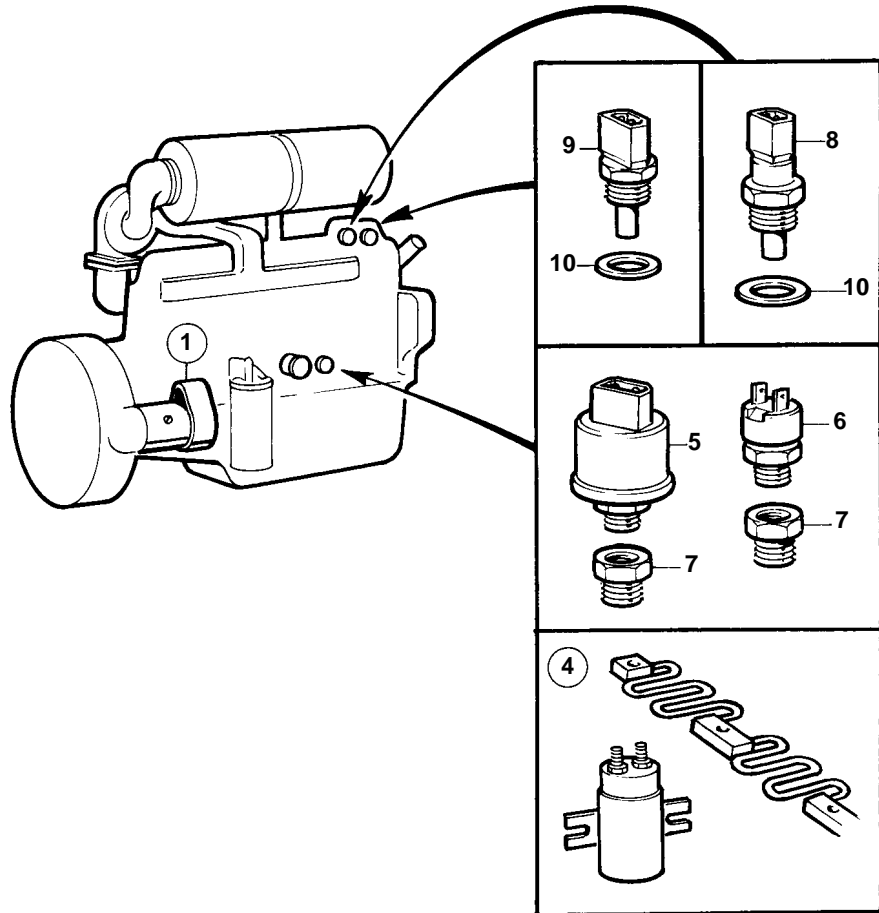
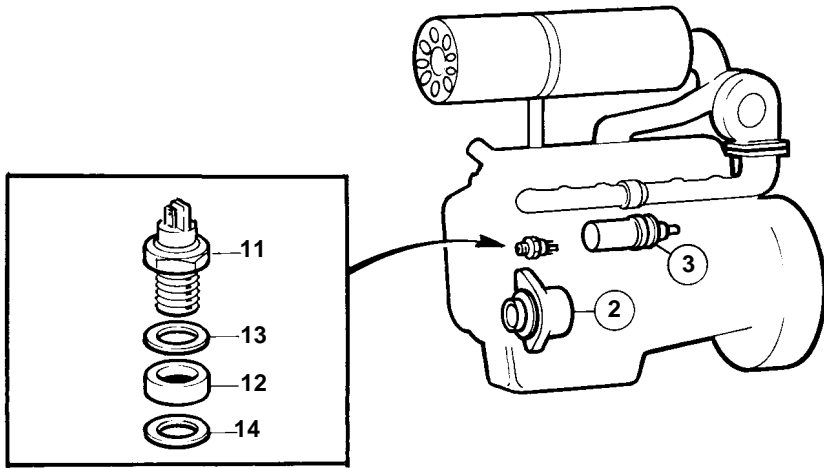
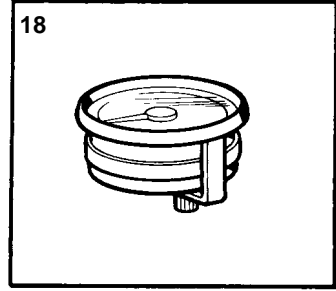
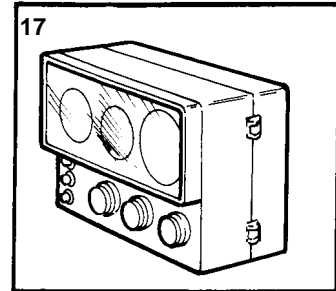
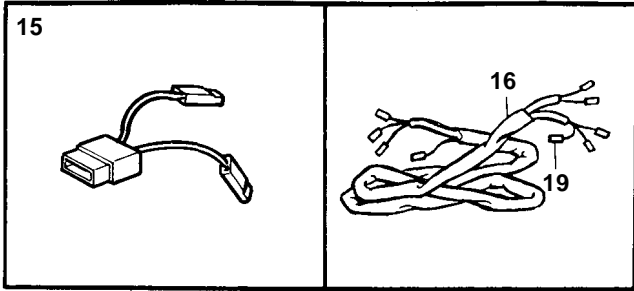


TID71AGP



10682

TID71AGP

REF	PART NO.	QTY	DESCRIPTION	SEE SEC.	NOTES
1		1	STARTER MOTOR AND INSTALLATION COMP.		
				030-1250	
2		1	ALTERNATOR AND INSTALLATION COMP.		RIGHT SIDE.
				030-0730	
3		1	STOP SOLENOID AND INSTALLATION COMP.		
					SEE GROUP 2D
4		1	STARTING ELEMENT AND RELAY		
					SEE GROUP 2B
5	866835	1	Pressure sensor		(862155)
6	863169	1	Pressure monitor		(864237)
7	421528	1	Reduction nipple		
8	848829	1	Temperature sensor		103%Z9C,STD
	862250	1	Thermo monitor		97%Z9C,ALT
9	862154	1	Temperature sensor		
10	947624	2	Gasket		
11	862251	1	Tachometer sensor		STD
	1502028	1	Tachometer sensor		FOR OVERSPEED CONTROL WHEN ELEKTRONIC SPEED CONTROL IS INSTALLED.
12	863413	1	Spacer sleeve		L = 9,7 MM
13	947624	1	Gasket		
14	949656	1	O-ring		
15	863227	1	Adapter		EARLY TYPE
16	872691	1	Wiring harness		FÖR/FOR L.S. (863816)
17	849968	1	Instrument		ALT
				030-1520	
18		X	EXTRA*EL.EQUIPMENT	030-1400	
19		X	CABLES AND TERMINALS	030-1560	
		X	ELECTRICAL MATERIALS	030-1570	